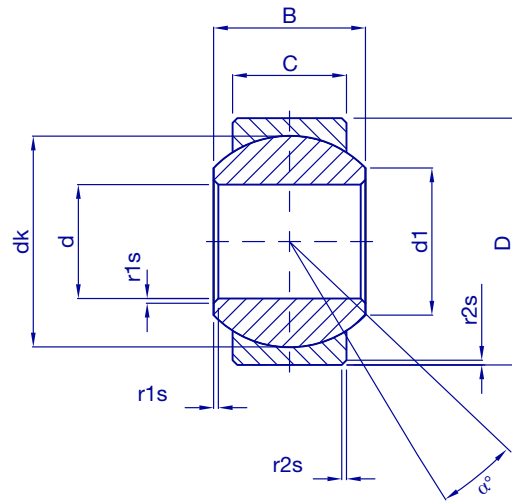


DIN ISO 12240-1 Series K
steel/steel coupling, self-lubricating
Application: precision engineering

Series
SB

SELF-LUBRICATING SPHERICAL BEARINGS
TOP Version



Dimensions mm

DESIGNATION	d H7	B	C	D	d1	dk	r1s min.	r2s min.	static radial load Co.(daN)	static axial load Co.(daN)	α° pivoting angle \approx	weight \approx (kg)
SB5	5	8	6,00	13	7,7	11,11	0,3	0,3	1300	170	13	0,006
SB6	6	9	6,75	16	8,9	12,70	0,3	0,3	1700	220	13	0,009
SB8	8	12	9,00	19	10,4	15,87	0,3	0,3	2800	370	14	0,016
SB10	10	14	10,50	22	12,9	19,05	0,3	0,3	4000	520	13	0,025
SB12	12	16	12,00	26	15,4	22,22	0,3	0,3	5300	700	13	0,040
SB16	16	21	15,00	32	19,3	28,57	0,3	0,3	8500	1100	15	0,100
SB20	20	25	18,00	40	24,3	34,92	0,3	0,6	12500	1600	14	0,150
SB30	30	37	25,00	55	34,8	50,80	0,3	0,6	25400	3300	17	0,380
SB35	35	43	28,00*	62*	37,7*	57,15	0,6	1,0	32000	4150	19	0,490

Technical reading from page 9 to page 15

*no standard dimension

MATERIAL

Inner ring:

tempered, ground and
polished steel for bearings
100 Cr6 (1.3505)

Outer ring:

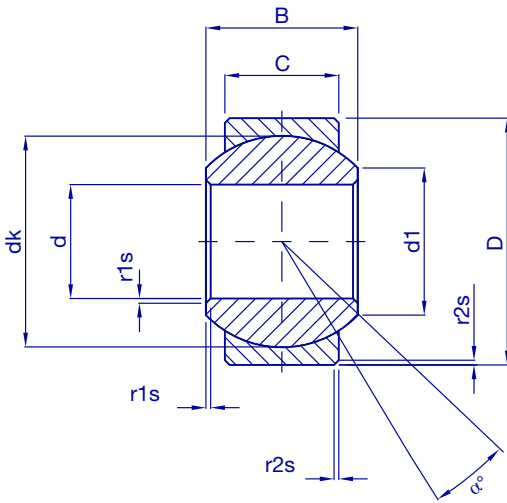
sintered steel impregnated
with high efficiency
lubricating fluid

DIN ISO 12240-1 Series K
steel/steel coupling, self-lubricating
Application: general engineering

Series
SB OK

SELF-LUBRICATING SPHERICAL BEARINGS
OK Version

chiavette unificate



Dimensions mm

*no standard dimensions

DESIGNATION	d H9*	B	C	D h6	d1	dk	r1s min.	r2s min.	static radial load Co.(daN)	static axial load Co.(daN)	α° pivoting angle \approx	weight \approx (kg)
SB6-OK	6	9	6,75	16	8,9	12,70	0,3	0,3	1700	220	13	0,009
SB8-OK	8	12	9,00	19	10,4	15,87	0,3	0,3	2800	370	14	0,016
SB10-OK	10	14	10,50	22	12,9	19,05	0,3	0,3	4000	520	13	0,025
SB12-OK	12	16	12,00	26	15,4	22,22	0,3	0,3	5300	700	13	0,040
SB16-OK	16	21	15,00	32	19,3	28,57	0,3	0,3	8500	1100	15	0,100

Technical reading from page 9 to page 15

MATERIAL

Inner ring:

tempered, ground and polished steel for bearings 34Cr4 (1.7033)

Outer ring:

sintered steel impregnated with high efficiency lubricating fluid

DIN ISO 12240-1 Series K

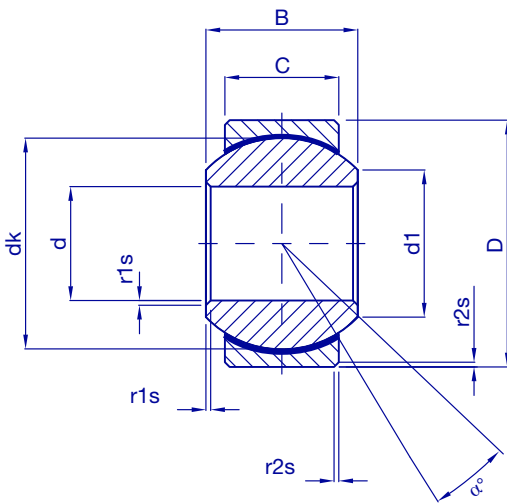
Coupling: steel/PTFE

Application: precision engineering

Series
SPK

SELF-LUBRICATING SPHERICAL BEARINGS
STANDARD Version

 **chiavette unificate**



Dimensions mm

DESIGNATION	d	B	C	D	d1	dk	r1s	r2s	static radial load Co. (daN)	static axial load Co. (daN)	α° pivoting angle \approx	weight \approx (kg)
	H7			h6			min.	min.				
SPK5	5	8	6	13	7,7	11,1	0,3	0,3	1300	170	13	0,006
SPK6	6	9	6,75	16	8,9	12,7			1700	220	13	0,009
SPK8	8	12	9	19	10,4	15,6			2800	370	14	0,016
SPK10	10	14	10,5	22	12,9	19,1			4000	520	13	0,025
SPK12	12	16	12	26	15,4	22,2			5300	700	13	0,040
SPK14	14	19	13,5	28	16,8	25,4			8600	880	15	0,090
SPK16	16	21	15	32	19,3	28,6			8500	1100	15	0,100
SPK18	18	23	16,5	35	21,8	31,7			13100	1400	15	0,125
SPK20	20	25	18	40	24,3	34,9			12500	1600	14	0,150
SPK22	22	28	20	42	25,8	38,1			19100	2100	15	0,210
SPK25	25	31	22	47	29,5	42,8			23600	2700	15	0,300
SPK30	30	37	25	55	34,8	50,8	25400	3300	17	0,380		
SPK35	35	43	28*	62*	37,7*	57,2*	0,6	1	32000	4150	19	0,490
SPK40	40	49	35	75	44,2	66,6	0,6	1	48000	4800	16	0,900
SPK50	50	60	45	90	55,8	82,5	0,6	1	80000	7900	14	1,600

*no standard dimension

Technical reading from page 9 to page 15

MATERIAL

Inner ring:

tempered, ground and polished steel for bearings
 100Cr6 (1.3505)

Outer ring:

C45 (1.1191) carbon steel
 and PTFE bonded on the inner surface

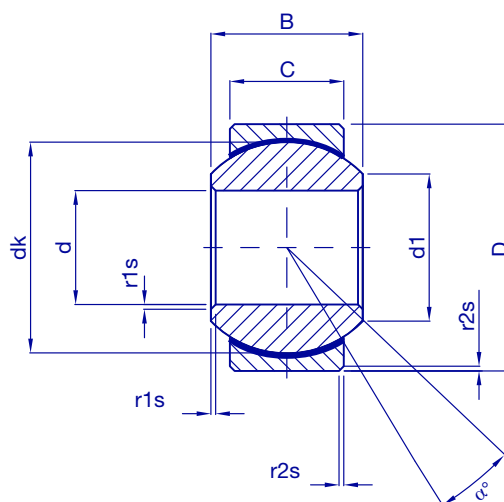
DIN ISO 12240-1 Series K

Coupling: stainless steel/PTFE

Application: precision engineering, suitable for oxidizing and corrosive environments

Series
SPKX

SELF-LUBRICATING SPHERICAL BEARINGS
STAINLESS STEEL Version



Dimensions mm

DESIGNATION	d	B	C	D	d1	dk	r1s	r2s	static radial load Co. (daN)	static axial load Co. (daN)	α° pivoting angle \approx	weight \approx (kg)		
	H7			h6			min.	min.						
SPKX5	5	8	6	13	7,7	11,1	0,3	0,3	1300	170	13	0,006		
SPKX6	6	9	6,75	16	8,9	12,7			1700	220	13	0,009		
SPKX8	8	12	9	19	10,4	15,6			2800	370	14	0,016		
SPKX10	10	14	10,5	22	12,9	19,1			4000	520	13	0,025		
SPKX12	12	16	12	26	15,4	22,2			5300	700	13	0,040		
SPKX14	14	19	13,5	28	16,8	25,4			8600	880	15	0,090		
SPKX16	16	21	15	32	19,3	28,6			8500	1100	15	0,100		
SPKX18	18	23	16,5	35	21,8	31,7			13100	1400	15	0,125		
SPKX20	20	25	18	40	24,3	34,9			0,6	0,6	12500	1600	14	0,150
SPKX22	22	28	20	42	25,8	38,1					19100	2100	15	0,210
SPKX25	25	31	22	47	29,5	42,8					23600	2700	15	0,300
SPKX30	30	37	25	55	34,8	50,8					25400	3300	17	0,380
SPKX35	35	43	28*	62*	37,7*	57,2*					0,6	1	32000	4150

Technical reading from page 9 to page 15

MATERIAL

Inner ring:

stainless steel X46Cr13
(1.4034 - AISI 420)

Outer ring:

stainless steel
X5CrNi1810
(1.4301 - AISI 304) with
PTFE bonded on the inner
surface

* no standard dimension