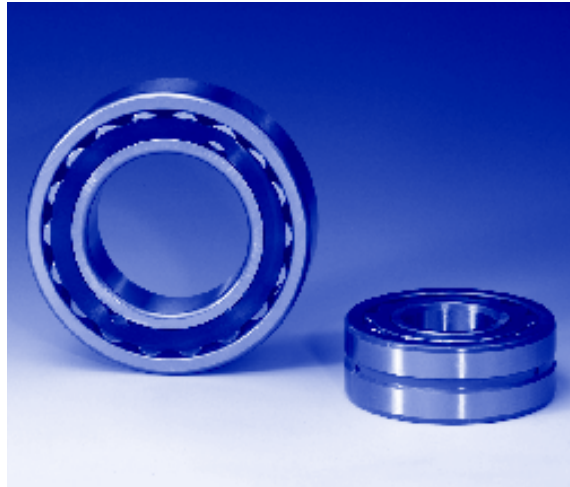
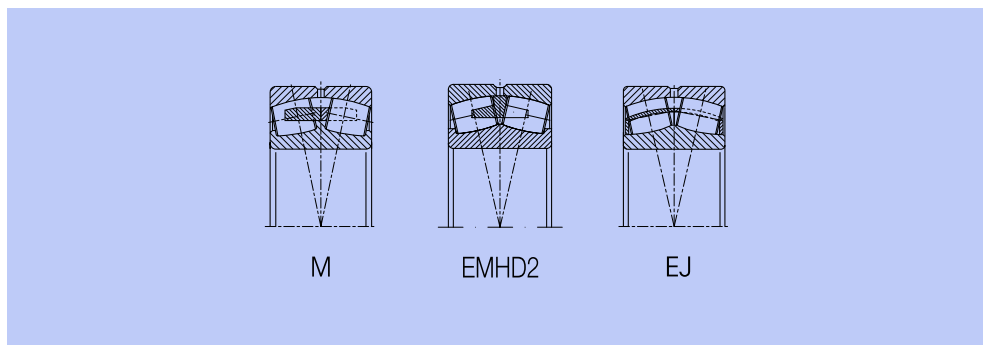


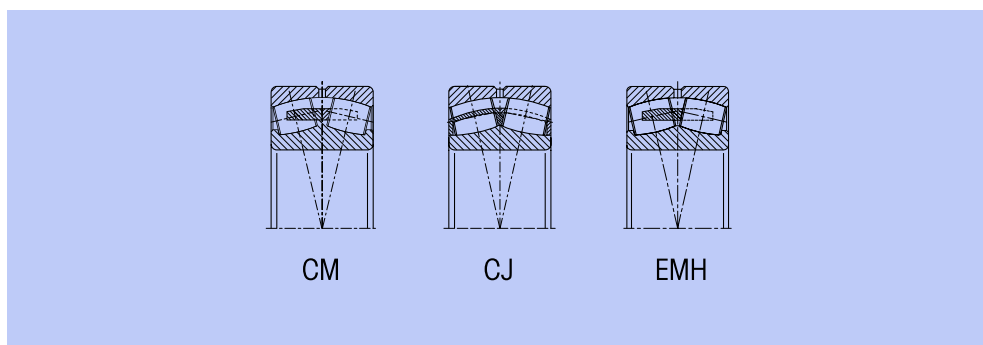
# Double Row Spherical Roller Bearings



Double row spherical roller bearings have two rows of spherical rollers with a common sphered raceway in the outer ring. This design enables mutual misalignment of rings. They can



simultaneously carry great radial and axial load in both directions. These bearings are produced with both cylindrical and tapered bore. These bearings are suitable for arrangements where great loads are acting and misalignment should be secured.



## Boundary Dimensions

Boundary dimensions comply with the standard ISO 15 and are shown in the dimension tables of this publication.

## Designation

Bearing designation in standard design and in design with tapered bore is in the dimension tables of this publication.

Difference from standard design is designated by additional symbols (section 2.2).

## Influence of operating temperature on bearing material

All spherical roller bearings goes through a special heat treatment, which allows their use in the operating temperature to 200 degrees without undesirable dimensional changes. Designation S1 isn't shown on the bearings.

## Tapered Bore

Bearings with tapered bore have taper 1:12, for type 240 the taper size is 1:30 (K30). Bearings with tapered bore are fixed on the cylindrical shafts by means of adapter sleeves. Sleeve designation corresponding to individual bearings is in the dimension tables of this publication.

## Lubrication Groove and Holes on Outer Ring

All types and sizes of double row spherical roller bearings are delivered besides the standard design also design W33 with groove and lubricating holes along the periphery that provides better lubricating and higher reliability.

## Cage

Bearings have cage material and design as shown in the dimension tables of this publication. Bearings with symbols J and E have pressed steel cage, bearings with symbol M have machined brass cage.

## Tolerance

Double row spherical roller bearings are commonly produced in normal tolerance class P0 which is not indicated. Bearing delivery with higher tolerance class should be discussed with the supplier in advance.

## Radial Clearance

Commonly produced bearings have normal radial clearance which is not indicated. For special arrangements bearings with smaller clearance C2 and greater radial clearance C3, C4 and C5 are delivered. Radial clearance values comply with standard ISO 5753 and are shown in table 27.

## Misalignment

Bearings can misalign from the central position without affecting their correct function. The following table shows permissible misalignment values according to bearing type.

Bearing Type	Permissible Misalignment
239, 230, 231, 222	1°30'
223	2°
232	2°30'
240	2°
241	2°30'

## Radial Equivalent Dynamic Load

$$P_r = F_r + Y_1 F_a \quad \text{for } F_a/F_r \leq e \quad [\text{kN}]$$

$$P_r = 0.67 F_r + Y_2 F_a \quad \text{for } F_a/F_r > e \quad [\text{kN}]$$

Factor values  $e$ ,  $Y_1$ , and  $Y_2$  for individual bearings are indicated in dimension tables of this publication.

## Radial Equivalent Static Load

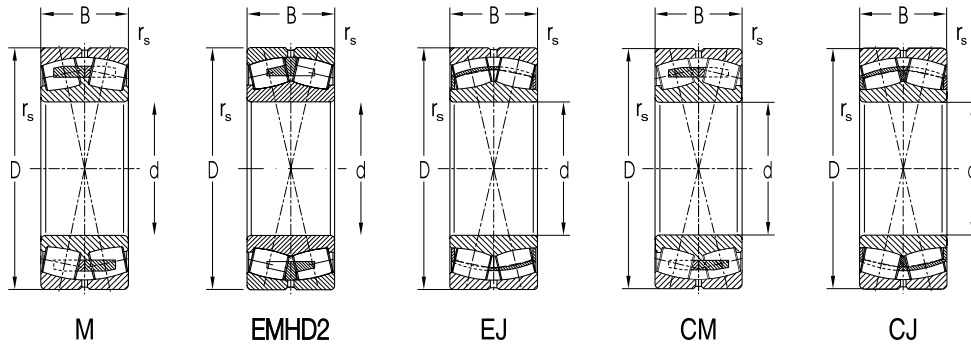
$$P_{or} = F_r + Y_0 F_a \quad [\text{kN}]$$

Factor values  $Y_0$  for individual bearings are indicated in the dimensional tables of this publication.



## Double Row Spherical Roller Bearings

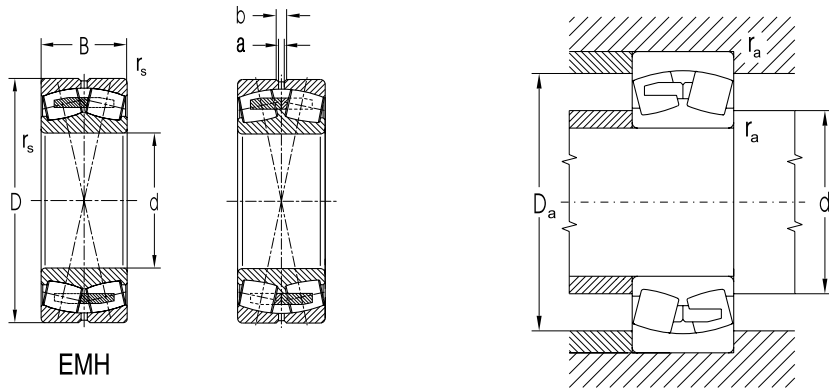
d = 25 to 90 mm



Dimensions						Basic Load Rating		Fatigue load limit	Limiting Speed for Lubrication with		Bearing Designation	
d	D	B	r <sub>s</sub> min	a	b	Dyn. C <sub>r</sub>	Stat. C <sub>or</sub>	P <sub>u</sub>	Grease	Oil	with Cylindrical Bore	with Tapered Bore
mm						kN		kN	min <sup>-1</sup>			
25	52	18,0	1,0	—	—	46	46,1	5,62	8500	11000	22205EW33J	22205EKW33J
30	62	20,0	1,0	—	—	61	64,5	7,87	7500	9500	22206EW33J	22206EKW33J
35	72	23,0	1,1	—	—	81	92	11,22	6300	8000	22207EW33J	22207EKW33J
40	80	23,0	1,1	2,5	5,4	93	105	12,80	6000	7500	22208EW33J	22208EKW33J
	90	33,0	1,5	3,0	5,5	140	160	19,51	4100	5100	22308EW33J	22308EKW33J
45	90	33,0	1,5	3,0	5,5	140	160	19,51	4100	5100	22308EW33MH	22308EKW33MH
	100	36,0	1,5	3,0	5,5	167	194	23,66	3700	4500	22309EW33J	22309EKW33J
50	100	36,0	1,5	3,0	5,5	167	194	23,66	3700	4500	22309EW33MH	22309EKW33MH
	110	40,0	2,0	3,0	5,5	200	238	29,02	3300	4000	22310EW33J	22310EKW33J
55	110	40,0	2,0	3,0	5,5	200	238	29,02	3300	4000	22310EW33MH	22310EKW33MH
	120	43,0	2,0	3,0	5,5	230	279	34,02	3000	3800	22311EW33J	22311EKW33J
60	120	43,0	2,0	3,0	5,5	230	279	34,02	3000	3800	22311EW33MH	22311EKW33MH
	110	28,0	1,5	3,0	5,5	152	183	22,32	4000	5000	22212EW33J	22212EKW33J
	130	46,0	2,1	3,0	5,5	273	315	38,41	2800	3600	22312EW33J	22312EKW33J
	130	46,0	2,1	3,0	5,5	273	315	38,41	2800	3600	22312EMHD2	22312EKMHD2
65	130	46,0	2,1	3,0	5,5	304	315	38,41	2800	3600	22312EW33MH**	22312EKW33MH
	130	46,0	2,1	3,0	5,5	209	230	28,05	2800	3300	22312W33M*	22312KW33M
	120	31,0	1,5	3,0	5,5	182	224	27,32	3800	4800	22213EW33J	22213EKW33J
	140	48,0	2,1	3,0	5,5	304	351	42,49	2600	3400	22313EW33J	22313EKW33J
70	140	48,0	2,1	3,0	5,5	304	351	42,49	2600	3400	22313EMHD2	22313EKMHD2
	140	48,0	2,1	3,0	5,5	222	252	30,50	2500	3200	22313W33M*	22313KW33M
	150	51,0	2,1	3,0	5,5	289	330	39,11	2400	3000	22314W33M*	22314KW33M
75	150	51,0	2,1	3,0	5,5	289	330	39,11	2400	3000	22314W33M*	22314KW33M
	130	31,0	1,5	3,0	5,5	196	255	30,87	3400	4300	22215EW33J	22215EKW33J
	160	55,0	2,1	4,5	8,3	396	489	56,82	2300	3000	22315EW33J	22315EKW33J
	160	55,0	2,1	4,5	8,3	396	489	56,82	2300	3000	22315EMHD2	22315EKMHD2
80	160	55,0	2,1	4,5	8,3	295	354	41,13	2200	2800	22315W33M*	22315KW33M
	140	33,0	2,0	3,0	5,5	224	295	34,96	3200	4000	22216EW33J	22216EKW33J
	140	33,0	2,0	3,0	5,5	154	197	23,35	2400	3000	22216W33M*	22216KW33M
	170	58,0	2,1	4,5	8,3	443	551	62,84	2200	2800	22316EW33J	22316EKW33J
85	170	58,0	2,1	4,5	8,3	443	551	62,84	2200	2800	22316EMHD2	22316EKMHD2
	170	58,0	2,1	4,5	8,3	349	411	46,88	2200	2800	22316W33M*	22316KW33M
	150	36,0	2,0	3,0	5,5	260	337	39,16	3000	3800	22217EW33J	22217EKW33J
90	150	36,0	2,0	3,0	5,5	171	214	24,87	2200	2800	22217W33M*	22217KW33M
	180	60,0	3,0	4,5	8,3	482	603	67,58	2000	2600	22317EW33J	22317EKW33J
	180	60,0	3,0	4,5	8,3	482	603	67,58	2000	2600	22317EMHD2	22317EKMHD2
	180	60,0	3,0	4,5	8,3	377	447	50,10	2000	2500	22317W33M*	22317KW33M
90	160	40,0	2,0	4,5	8,3	308	406	46,31	2600	3400	22218EW33J	22218EKW33J
	160	40,0	2,0	4,5	8,3	209	265	30,22	2000	2500	22218W33M*	22218KW33M
	160	52,4	2,0	3,0	5,5	303	412	46,99	1900	2400	23218W33M	23218KW33M

Deliveries of bearings marked with \* must be agreed with the producer.

\*\* Bearings in the new standard NEW FORCE (see the catalogue NEW FORCE)

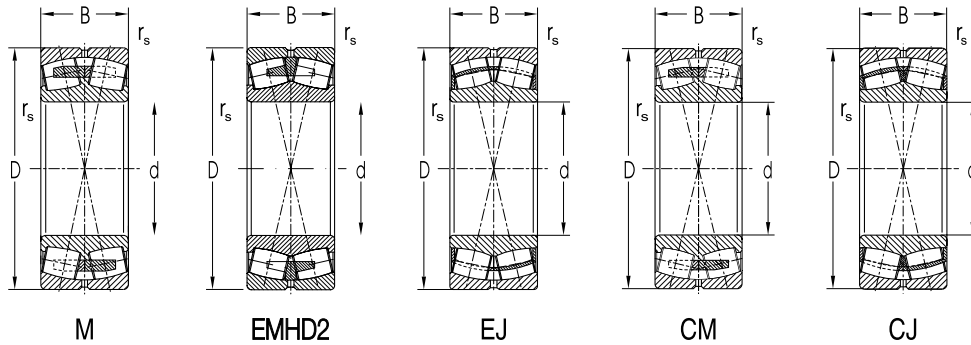


EMH

Abutment and Fillet Dimensions				Weight		Corresp. Adapter Sleeve	Corresp. Withdrawal Sleeve	Corresp. Nut	Factors			
d	d <sub>a</sub> min	D <sub>a</sub> max	r <sub>a</sub> max	K					e	Y <sub>1</sub>	Y <sub>2</sub>	Y <sub>0</sub>
mm				kg								
25	31	46	1,0	0,16	0,155	H305	AH305	KM6	0,34	2,0	3,0	2,0
30	36	56	1,0	0,25	0,245	H306	AH306	KM7	0,31	2,1	3,2	2,1
35	42	65	1,0	0,42	0,410	H307	AH307	KM8	0,31	2,2	3,3	2,1
40	47	73	1,0	0,51	0,500	H308	AH308	KM9	0,27	2,5	3,7	2,4
	49	81	1,5	1,05	1,030	H2308	AH2308	KM9	0,36	1,8	2,6	1,8
	49	81	1,5	1,07	1,050	H2308	AH2308	KM9	0,36	1,8	2,6	1,8
45	52	78	1,0	0,55	0,530	H309	AH309	KM10	0,26	2,6	3,9	2,6
	54	91	1,5	1,40	1,370	H2309	AH2309	KM10	0,36	1,9	2,8	1,9
	54	91	1,5	1,43	1,400	H2309	AH2309	KM10	0,36	1,9	2,8	1,9
50	57	83	1,0	0,59	0,570	H310	AH310X	KM11	0,24	2,8	4,2	2,8
	60	100	2,0	1,87	1,830	H2310	AH2310X	KM11	0,36	1,9	2,7	1,8
	60	100	2,0	1,92	1,880	H2310	AH2310X	KM11	0,36	1,9	2,7	1,8
55	64	91	1,5	0,83	0,820	H311	AH311X	KM12	0,23	2,9	4,4	2,9
	65	110	2,0	2,36	2,310	H2311	AH2311X	KM12	0,35	1,9	2,8	1,9
	65	110	2,0	2,44	2,390	H2311	AH2311X	KM12	0,35	1,9	2,8	1,9
60	69	101	1,5	1,14	1,120	H312	AH312X	KM13	0,24	2,8	4,2	2,8
	72	118	2,0	2,91	2,840	H2312	AH2312X	KM13	0,35	1,9	2,9	1,9
	72	118	2,0	3,03	2,970	H2312	AH2312X	KM13	0,35	1,9	2,9	1,9
	72	118	2,0	2,95	2,880	H2312	AH2312X	KM13	0,35	1,9	2,9	1,9
	72	118	2,0	3,00	2,900	H2312	AH2312X	KM13	0,41	1,6	2,4	1,6
65	74	111	1,5	1,51	1,480	H313	AH313	KM15	0,24	2,9	4,2	2,8
	77	128	2,0	3,46	3,380	H2313	AH2313	KM15	0,34	2,0	3,0	2,0
	77	128	2,0	3,64	3,560	H2313	AH2313	KM15	0,34	2,0	3,0	2,0
	77	128	2,0	3,60	3,500	H2313	AH2313	KM15	0,38	1,8	2,5	1,7
70	79	116	1,5	1,61	1,570	H314	AH314	KM16	0,23	2,9	4,2	2,8
	82	138	2,0	4,19	4,100	H2314	AH2314X	KM16	0,34	2,0	3,0	2,0
	82	138	2,0	4,40	4,310	H2314	AH2314X	KM16	0,34	2,0	3,0	2,0
	82	138	2,0	4,38	4,290	H2314	AH2314X	KM16	0,34	2,0	3,0	2,0
	82	138	2,0	4,30	4,200	H2314	AH2314X	KM16	0,37	1,8	2,6	1,7
75	84	121	1,5	1,70	1,660	H315	AH315	KM17	0,22	3,1	4,5	2,9
	87	148	2,0	5,27	5,150	H2315	AH2315X	KM17	0,33	2,0	3,0	2,0
	87	148	2,0	5,48	5,360	H2315	AH2315X	KM17	0,33	2,0	3,0	2,0
	87	148	2,0	5,40	5,200	H2315	AH2315X	KM17	0,38	1,8	2,5	1,7
80	90	130	2,0	2,11	2,070	H316	AH316	KM18	0,22	3,1	4,5	3,0
	90	130	2,0	2,20	2,100	H316	AH316	KM18	0,26	2,6	3,8	2,5
	92	158	2,0	6,25	6,110	H2316	AH2316X	KM18	0,33	2,0	3,0	2,0
	92	158	2,0	6,51	6,370	H2316	AH2316X	KM18	0,33	2,0	3,0	2,0
	92	158	2,0	6,30	6,200	H2316	AH2316X	KM18	0,36	1,8	2,7	1,8
85	95	140	2,0	2,66	2,610	H317	AH317X	KM19	0,22	3,0	4,4	2,9
	95	140	2,5	2,80	2,700	H317	AH317X	KM19	0,26	2,6	3,7	2,5
	99	166	2,5	7,16	7,010	H2317	AH2317X	KM19	0,32	2,1	3,1	2,0
	99	166	2,5	7,48	7,340	H2317	AH2317X	KM19	0,32	2,1	3,1	2,0
	99	166	2,5	7,40	7,200	H2317	AH2317X	KM19	0,36	1,9	2,7	1,8
90	100	150	2,0	3,40	3,330	H318	AH318X	KM20	0,23	2,9	4,2	2,8
	100	150	2,0	3,60	3,400	H318	AH318X	KM20	0,26	2,6	3,7	2,4
	100	150	2,0	4,70	4,600	H2318	AH3218X	KM20	0,33	2,0	3,0	1,9



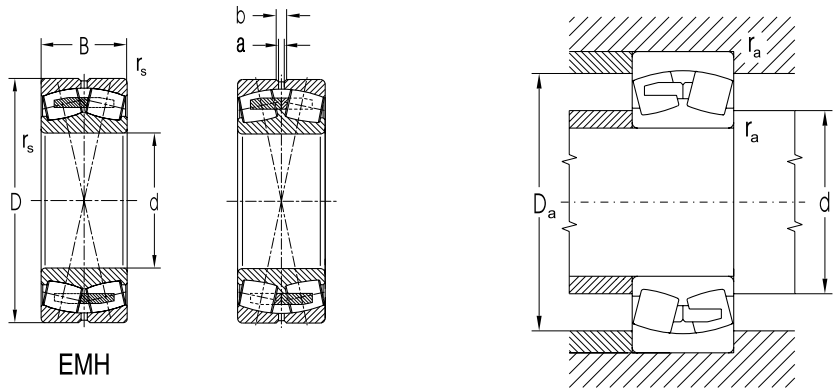
## Double Row Spherical Roller Bearings d = 90 to 120 mm



Dimensions						Basic Load Rating		Fatigue load limit	Limiting Speed for Lubrication with		Bearing Designation	
d	D	B	r <sub>s</sub> min	a	b	Dyn. C <sub>r</sub>	Stat. C <sub>or</sub>	P <sub>u</sub>	Grease	Oil	with Cylindrical Bore	with Tapered Bore
mm						kN		kN	min <sup>-1</sup>			
90	160	52,4	2,0	3,0	5,5	370	522	59,54	1900	2600	23218CW33J	23218CKW33J
	190	64,0	3,0	4,5	8,3	536	673	74,19	1900	2400	22318EW33J	22318EKW33J
	190	64,0	3,0	4,5	8,3	536	673	74,19	1900	2400	22318EMHD2	22318EKMH2
	190	64,0	3,0	4,5	8,3	437	522	57,55	1900	2400	22318W33M*	22318KW33M
95	170	43,0	2,1	4,5	8,3	346	464	52,00	2400	3200	22219EW33J	22219EKW33J
	170	43,0	2,1	4,5	8,3	259	329	36,87	2000	2500	22219W33M	22219KW33M
	200	67,0	3,0	4,5	8,3	473	566	61,43	1800	2200	22319W33M*	22319KW33M
	200	67,0	3,0	4,5	8,3	587	744	80,75	1800	2300	22319EW33J	22319EKW33J
100	200	67,0	3,0	4,5	8,3	587	744	80,75	1800	2300	22319EMHD2	22319EMHD2
	165	52,0	2,0	3,0	5,5	379	587	65,79	2000	2800	23120CW33J	23120CKW33J
	180	46,0	2,1	4,5	8,3	379	510	64,19	2200	3000	22220EW33J	22220EKW33J
	180	46,0	2,1	4,5	8,3	290	375	47,20	1900	2400	22220W33M*	22220KW33M
	180	60,3	2,1	4,5	8,3	465	667	83,95	1700	2200	23220CW33J	23220CKW33J
	180	60,3	2,1	4,5	8,3	390	532	66,96	1700	2000	23220W33M	23220KW33M
110	215	73,0	3,0	4,5	8,3	682	842	100,48	1700	2200	22320EW33J	22320EKW33J
	215	73,0	3,0	4,5	8,3	563	686	81,86	1700	2000	22320W33M*	22320KW33M
	170	60,0	2,0	3,0	5,5	402	717	79,04	1800	2200	24022CW33J	24022CK30W33J
	170	45,0	2,0	3,0	5,5	329	516	56,88	2200	3000	23022CW33J	23022CKW33J
	170	45,0	2,0	3,0	5,5	362	516	56,88	2200	3000	23022EW33MH**	23022EKW33MH
	180	56,0	2,0	4,5	8,3	374	585	63,82	1900	2600	23122CW33J	23122CKW33J
	180	56,0	2,0	4,5	8,3	354	541	59,02	1700	2000	23122W33M*	23122KW33M
	180	69,0	2,0	3,0	5,5	501	849	92,62	1000	1400	24122CW33J	24122CK30W33J
	200	53,0	2,1	4,5	8,3	488	653	69,82	2000	2800	22222EW33J	22222EKW33J
	200	53,0	2,1	4,5	8,3	365	474	50,68	1700	2000	22222W33M*	22222KW33M
	200	69,8	2,1	4,5	8,3	586	867	92,71	1600	2000	23222CW33J	23222CKW33J
	200	69,8	2,1	4,5	8,3	502	706	75,49	1500	1800	23222W33M	23222KW33M
120	240	80,0	3,0	6,0	11,1	805	1000	103,10	1500	1900	22322EW33J	22322EKW33J
	240	80,0	3,0	6,0	11,1	662	801	82,59	1500	1800	22322W33M*	22322KW33M
	180	46,0	2,0	3,0	5,5	346	572	61,77	2000	2800	23024CW33J	23024CKW33J
	180	46,0	2,0	3,0	5,5	287	467	50,43	1600	1900	23024W33M	23024KW33M
	180	60,0	2,0	3,0	5,5	413	770	83,15	1600	2000	24024CW33J	24024CK30W33J
	200	62	2,0	4,5	8,3	523	798	84,52	1800	2400	23124CW33J	23124CKW33J
	200	62,0	2,0	4,5	8,3	430	648	68,63	1500	1800	23124W33M	23124KW33M
	200	80,0	2,0	3,0	5,5	639	1080	114,39	950	1300	24124CW33J	24124CK30W33J
	215	58,0	2,1	4,5	8,3	553	775	80,96	1900	2600	22224EW33J	22224EKW33J
	215	58,0	2,1	4,5	8,3	439	580	60,59	1600	1900	22224W33M*	22224KW33M
	215	76,0	2,1	4,5	8,3	678	1020	106,56	1500	1900	23224CW33J	23224CKW33J
	215	76,0	2,1	4,5	8,3	750	1020	106,56	1500	1900	23224EW33MH**	23224EKW33MH
	215	76,0	2,1	4,5	8,3	564	803	83,89	1400	1700	23224W33M*	23224KW33M
	260	86,0	3,0	6,0	11,1	782	962	96,77	1400	1700	22324W33M*	22324KW33M
260	86,0	3,0	6,0	11,1	938	1180	118,70	1400	1800	22324EW33J	22324EKW33J	
130	200	52,0	2,0	4,5	8,3	444	711	74,61	1900	2600	23026CW33J	23026CKW33J
	200	52,0	2,0	3,0	5,5	367	579	60,76	1500	1800	23026W33M	23026KW33M
	200	69,0	2,0	4,5	8,3	539	978	102,63	1500	1900	24026CW33J	24026CK30W33J
	210	64,0	2,0	4,5	8,3	474	752	78,21	1400	1700	23126W33M*	23126KW33M
	210	64,0	2,0	4,5	8,3	561	913	94,96	1700	2200	23126CW33J	23126CKW33J

Deliveries of bearings marked with \* must be agreed with the producer.

\*\* Bearings in the new standard NEW FORCE (see the catalogue NEW FORCE)



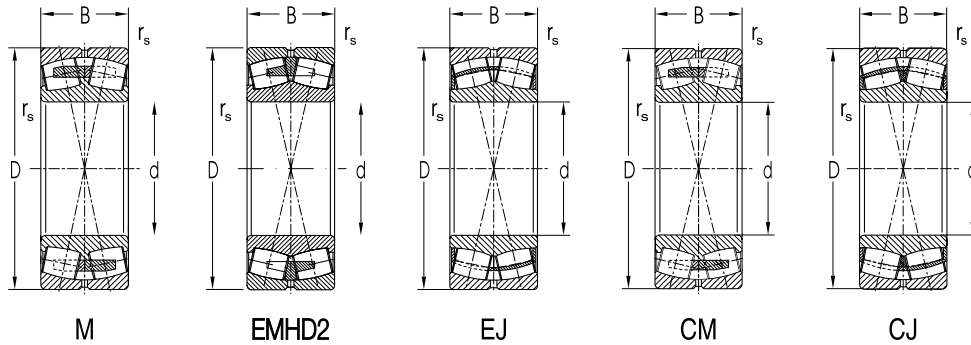
EMH

Abutment and Fillet Dimensions				Weight		Corresp. Adapter Sleeve	Corresp. Withdrawal Sleeve	Corresp. Nut	Factors			
d	d <sub>a</sub> min	D <sub>a</sub> max	r <sub>a</sub> max	K					e	Y <sub>1</sub>	Y <sub>2</sub>	Y <sub>0</sub>
mm				kg								
90	100	150	2,0	4,52	4,400	H2318	AH3218X	KM20	0,31	2,2	3,3	2,2
	104	176	2,5	8,54	8,350	H2318	AH2318X	KM20	0,33	2,1	3,1	2,0
	104	176	2,5	8,89	8,700	H2318	AH2318X	KM20	0,33	2,1	3,1	2,0
	104	176	2,5	8,80	8,600	H2318	AH2318X	KM20	0,37	1,8	2,6	1,7
95	107	158	2,0	4,17	4,080	H319	AH319X	KM21	0,23	2,9	4,2	2,7
	107	158	2,0	4,40	4,300	H319	AH319X	KM21	0,26	2,5	3,6	2,4
	109	186	2,5	10,30	10,100	H2319	AH2319	KM21	0,37	1,8	2,6	1,7
	109	186	2,5	9,86	9,640	H2319	AH2319	KM21	0,33	2,1	3,1	2,0
100	109	186	2,5	10,30	10,000	H2319	AH2319	KM21	0,33	2,1	3,1	2,0
	110	155	2,0	4,40	4,260	H3120	AH3120X	KM22	0,29	2,4	3,5	2,3
	112	168	2,0	5,01	4,900	H320	AH320X	KM22	0,24	2,9	4,1	2,7
	112	168	2,0	5,30	5,200	H320	AH320X	KM22	0,27	2,5	3,6	2,4
	112	168	2,0	6,67	6,490	H2320	AH3220X	KM22	0,31	2,2	3,2	2,1
	112	168	2,0	6,90	6,700	H2320	AH3220X	KM22	0,34	2,0	2,8	1,9
110	114	201	2,5	12,30	12,100	H2320	AH2320X	KM22	0,33	2,0	3,0	2,0
	114	201	2,5	13,00	12,700	H2320	AH2320X	KM22	0,37	1,8	2,6	1,7
	120	160	2,0	5,04	4,950	—	—	—	0,32	2,1	3,2	2,1
	120	160	2,0	3,68	3,560	H322	AH3122X	KM24	0,24	2,9	4,3	2,8
	120	160	2,0	3,73	3,610	H322	AH3122X	KM24	0,24	2,9	4,3	2,8
	120	170	2,0	5,36	5,190	H3122	AH3122X	KM24	0,30	2,3	3,4	2,2
	120	170	2,0	6,00	5,800	H3122	AH3122X	KM24	0,31	2,2	3,1	2,1
	120	170	2,0	6,94	6,830	—	AH24122	KM23	0,35	1,9	2,8	1,9
	122	188	2,0	7,09	6,940	H3222	AH3120X	KM24	0,25	2,7	4,0	2,6
	122	188	2,0	7,50	7,400	H3222	AH3120X	KM24	0,27	2,4	3,5	2,3
	122	188	2,0	9,65	9,380	H2322	AH3222X	KM25	0,33	2,1	3,1	2,0
	122	188	2,0	9,90	9,600	H2322	AH3222X	KM25	0,36	1,9	2,7	1,8
124	226	2,5	17,20	16,800	H2322	AH2322X	KM25	0,33	2,1	3,1	2,0	
124	226	2,5	18,20	17,900	H2322	AH2322X	KM25	0,36	1,8	2,6	1,7	
120	130	170	2,0	4,04	3,910	H3024	AH3024X	KM26	0,23	3,0	4,5	2,9
	130	170	2,0	4,30	4,200	H3024	AH3024X	KM26	0,24	2,7	4,2	2,6
	130	170	2,0	5,35	5,260	—	AH24024	KM25	0,30	2,3	3,4	2,2
	130	190	2,0	7,69	7,450	H3124	AH3124X	KM26	0,28	2,4	3,5	2,3
	130	190	2,0	8,20	8,000	H3124	AH3124X	KM26	0,31	2,1	3,1	2,0
	130	190	2,0	10,10	9,900	—	AH24124	KM26	0,37	1,8	2,7	1,8
	132	203	2,0	8,96	8,760	H3124	AH3124X	KM26	0,25	2,7	3,9	2,5
	132	203	2,0	9,40	9,200	H3124	AH3124X	KM26	0,28	2,4	3,4	2,3
	132	203	2,0	11,80	11,500	H2324	AH3224X	KM27	0,33	2,0	3,0	2,0
	132	203	2,0	12,10	11,800	H2324	AH3224X	KM27	0,33	2,0	3,0	2,0
	132	203	2,0	12,30	11,900	H2324	AH3224X	KM27	0,36	1,9	2,7	1,8
	134	246	2,5	22,10	21,600	H2324	AH2324X	KM27	0,36	1,9	2,7	1,8
	134	246	2,5	21,50	21,100	H2324	AH2324X	KM27	0,33	2,1	3,1	2,0
	130	140	190	2,0	5,85	5,670	H3026	AH3026X	KM28	0,23	2,9	4,3
140		190	2,0	6,30	6,100	H3026	AH3026X	KM28	0,26	2,6	3,8	2,5
140		190	2,0	7,92	7,790	—	AH24026	KM27	0,31	2,2	3,2	2,1
140		200	2,0	9,10	8,800	H3126	AH3126X	KM28	0,30	2,2	3,2	2,1
140		200	2,0	8,47	8,200	H3126	AH3126X	KM28	0,28	2,4	3,6	2,4



## Double Row Spherical Roller Bearings

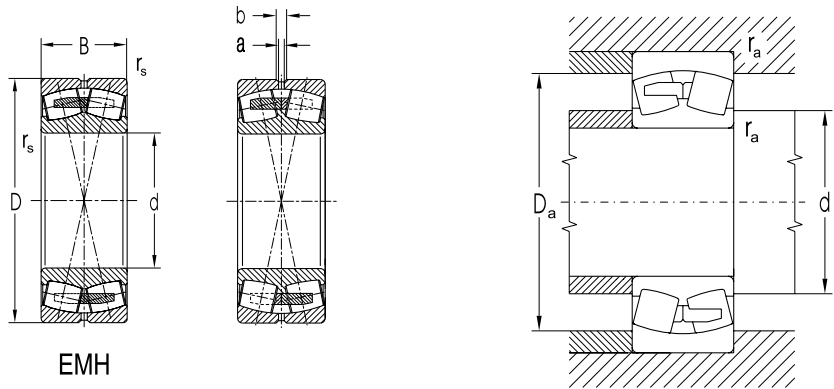
d = 130 to 160 mm



Dimensions						Basic Load Rating		Fatigue load limit	Limiting Speed for Lubrication with		Bearing Designation	
d	D	B	r <sub>s</sub>	a	b	Dyn. C <sub>r</sub>	Stat. C <sub>or</sub>	P <sub>u</sub>	Grease	Oil	with Cylindrical Bore	with Tapered Bore
mm						kN		kN	min <sup>-1</sup>			
130	210	64,0	2,0	4,5	8,3	620	913	94,96	1700	2200	23126EW33MH**	23126EKW33MH
	210	80,0	2,0	3,0	5,5	657	1160	120,65	900	1200	24126CW33J	24126CK30W33J
	230	64,0	3,0	6,0	11,1	641	948	96,92	1800	2400	22226EW33J	22226EKW33J
	230	64,0	3,0	6,0	11,1	708	948	96,92	1800	2400	22226EW33MH**	22226EKW33MH
	230	64,0	3,0	6,0	11,1	525	726	74,22	1500	1800	22226W33M*	22226KW33M
	230	80,0	3,0	6,0	11,1	636	948	96,92	1300	1600	23226W33M	23226KW33M*
	230	80,0	3,0	4,5	8,3	753	1180	120,64	1300	1700	23226CW33J	23226CKW33J
	280	93,0	4,0	7,5	13,9	904	1130	111,11	1300	1600	22326W33M*	22326KW33M
	280	93,0	4,0	7,5	13,9	1090	1380	135,69	1300	1700	23226EW33J	23226EKW33J
	140	210	53,0	2,0	4,5	8,3	380	633	65,26	1400	1700	23028W33M
210		53,0	2,0	4,5	8,3	463	781	80,52	1800	2400	23028CW33J	23028CKW33J
210		53,0	2,0	4,5	8,3	511	781	80,52	1800	2400	23028EW33MH**	23028EKW33MH
210		69,0	2,0	4,5	8,3	549	1040	107,23	1400	1800	24028CW33J	24028CK30W33J
225		68,0	2,1	4,5	8,3	540	865	88,07	1300	1600	23128W33M	23128KW33M
225		68,0	2,1	4,5	8,3	629	1030	104,87	1600	2000	23128CW33J	23128CKW33J
225		85,0	2,1	4,5	8,3	740	1330	135,41	850	1100	24128CW33J	24128CK30W33J
250		68,0	3,0	6,0	11,1	747	1080	107,80	1700	2200	22228EW33J	22228EKW33J
250		68,0	3,0	6,0	11,1	605	822	82,04	1400	1700	22228W33M*	22228KW33M
250		88,0	3,0	6,0	11,1	895	1370	136,74	1200	1600	23228CW33J	23228CKW33J
250		88,0	3,0	6,0	11,1	815	1320	131,75	1200	1600	23228CW33M	23228CKW33M
300		102,0	4,0	7,5	13,9	1220	1560	150,17	1200	1500	22328CW33J	22328CKW33J
300		102,0	4,0	7,5	13,9	993	1270	122,25	1200	1500	22328W33M	22328KW33M
150		225	56,0	2,1	4,5	8,3	517	881	88,97	1700	2200	23030CW33J
	225	56,0	2,1	4,5	8,3	573	881	88,97	1700	2200	23030EW33MH**	23030EKW33MH
	225	56,0	2,1	4,5	8,3	419	697	70,39	1300	1600	23030W33M*	23030KW33M
	225	75,0	2,1	3,0	5,5	635	1220	123,21	1300	1700	24030CW33J	24030CK30W33J
	250	80,0	2,1	4,5	8,3	711	1130	111,93	1200	1500	23130W33M	23130KW33M
	250	80,0	2,1	6,0	11,1	823	1310	129,76	1400	1800	23130CW33J	23130CKW33J
	250	100,0	2,1	4,5	8,3	968	1690	167,40	800	1000	24130CW33J	24130CK30W33J
	270	73,0	3,0	7,5	13,9	863	1260	123,00	1600	2000	22230EW33J	22230EKW33J
	270	73,0	3,0	7,5	13,9	668	920	89,81	1300	1600	22230W33M*	22230KW33M
	270	96,0	3,0	6,0	11,1	1040	1620	158,14	1100	1500	23230CW33J	23230CKW33J
	270	96,0	3,0	7,5	13,9	874	1300	126,90	1100	1400	23230W33M*	23230KW33M
	320	108,0	4,0	9,0	16,7	1370	1850	174,60	1000	1400	22330CW33J	22330CKW33J
	320	108,0	4,0	9,0	16,7	1190	1610	151,95	1000	1400	22330CW33M	22330CKW33M
	160	240	60,0	2,1	6,0	11,1	587	1010	100,05	1700	2200	23032CW33J
240		60,0	2,1	6,0	11,1	521	903	89,45	1200	1500	23032W33M	23032KW33M
240		80,0	2,1	4,5	8,3	719	1400	138,68	1100	1500	24032CW33J	24032CK30W33J
270		86,0	2,1	6,0	11,1	817	1310	126,98	1100	1400	23132W33M	23132KW33M
270		86,0	2,1	6,0	11,1	950	1480	143,46	1100	1400	23132CW33J	23132CKW33J
270		109,0	2,1	4,5	8,3	1120	1980	191,92	700	900	24132CW33J	24132CK30W33J
290		80,0	3,0	7,5	13,9	978	1440	137,69	1500	1900	22232EW33J	22232EKW33J
290		80,0	3,0	7,5	13,9	839	1190	113,78	1200	1500	22232W33M*	22232KW33M
290		104,0	3,0	7,5	13,9	1150	1840	175,93	1000	1400	23232CW33J	23232CKW33J
290		104,0	3,0	7,5	13,9	1130	1830	174,98	1000	1400	23232CW33M	23232CKW33M
340		114,0	4,0	9,0	16,7	1530	2090	193,62	1000	1300	22332CW33J	22332CKW33J

Deliveries of bearings marked with \* must be agreed with the producer.

\*\* Bearings in the new standard NEW FORCE (see the catalogue NEW FORCE)



EMH

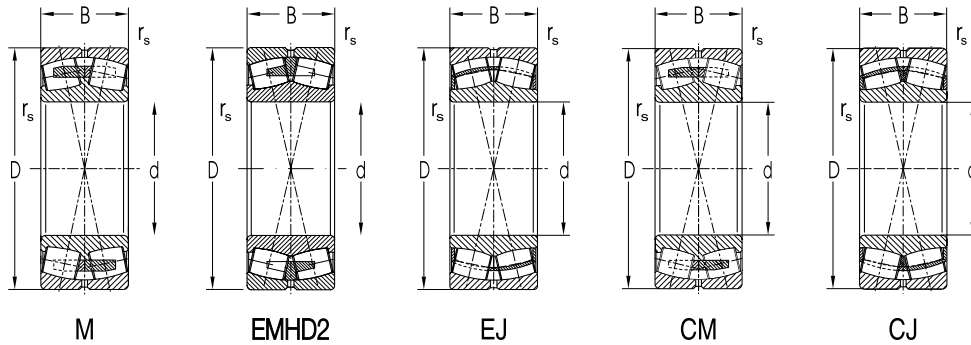
Abutment and Fillet Dimensions				Weight		Corresp. Adapter Sleeve	Corresp. Withdrawal Sleeve	Corresp. Nut	Factors			
d	d <sub>a</sub> min	D <sub>a</sub> max	r <sub>a</sub> max	K					e	Y <sub>1</sub>	Y <sub>2</sub>	Y <sub>0</sub>
mm				kg								
130	140	200	2,0	8,63	8,360	H3126	AH3126X	KM28	0,28	2,4	3,6	2,4
	140	200	2,0	10,90	10,700	—	AH24126	KM28	0,35	1,9	2,9	1,9
	144	216	2,5	11,20	11,000	H3126	AH3126X	KM28	0,26	2,6	3,8	2,5
	144	216	2,5	11,60	11,300	H3126	AH3126X	KM28	0,26	2,6	3,8	2,5
	144	216	2,5	11,80	11,700	H3126	AH3126X	KM28	0,29	2,3	3,3	2,2
	144	216	2,5	15,00	14,400	H2326	AH3226X	KM29	0,35	1,9	2,7	1,8
	144	216	2,5	13,90	13,500	H2326	AH3226X	KM29	0,33	2,1	3,1	2,0
	148	262	3,0	28,60	28,000	H2326	AH2326X	KM29	0,36	1,8	2,7	1,8
	148	262	3,0	26,80	26,200	H2326	AH2326X	KM29	0,33	2,1	3,1	2,0
	140	150	200	2,0	6,90	6,700	H3028	AH3028X	KM30	0,24	2,7	4,2
150		200	2,0	6,36	6,160	H3028	AH3028X	KM30	0,22	3,0	4,5	3,0
150		200	2,0	6,58	6,380	H3028	AH3028X	KM30	0,22	3,0	4,5	3,0
150		200	2,0	8,52	8,380	—	AH24028	KM29	0,29	2,3	3,4	2,3
152		213	2,0	10,80	10,500	H3128	AH3128X	KM30	0,30	2,2	3,2	2,1
152		213	2,0	10,30	10,000	H3128	AH3128X	KM30	0,27	2,5	3,7	2,4
152		213	2,0	13,10	12,900	—	AH24128	KM30	0,35	1,9	2,9	1,9
154		236	2,5	14,10	13,800	H3128	AH3128X	KM30	0,25	2,7	3,9	2,5
154		236	2,5	15,00	14,600	H3128	AH3128X	KM30	0,28	2,4	3,4	2,2
154		236	2,5	18,40	17,800	H2328	AH3228X	KM31	0,33	2,0	3,0	2,0
154		236	2,5	18,60	18,000	H2328	AH3228X	KM31	0,33	2,0	3,0	2,0
158		282	3,0	33,30	32,600	H2328	AH2328X	KM31	0,34	2,0	3,0	2,0
158		282	3,0	35,60	34,800	H2328	AH2328X	KM31	0,38	1,8	2,5	1,7
150		162	213	2,0	7,74	7,500	H3030	AH3030X	KM32	0,22	3,1	4,6
	162	213	2,0	7,99	7,750	H3030	AH3030X	KM32	0,22	3,1	4,6	3,0
	162	213	2,0	8,30	8,000	H3030	AH3030X	KM32	0,24	2,7	4,2	2,6
	162	213	2,0	10,70	10,500	—	AH24030	KM31	0,30	2,3	3,4	2,2
	162	238	2,0	16,60	16,100	H3130	AH3130X	KM33	0,32	2,1	3,0	2,0
	162	238	2,0	15,50	15,000	H3130	AH3130X	KM33	0,29	2,3	3,4	2,3
	162	238	2,0	19,90	19,600	—	AH24130	KM32	0,37	1,8	2,7	1,8
	164	256	2,5	17,90	17,500	H3130	AH3130X	KM33	0,25	2,7	3,9	2,5
	164	256	2,5	18,60	18,200	H3130	AH3130X	KM33	0,28	2,3	3,4	2,2
	164	256	2,5	23,30	22,600	H2330	AH3230X	KM33	0,33	2,0	3,0	2,0
	164	256	2,5	24,60	23,900	H2330	AH3230X	KM33	0,36	1,8	2,7	1,8
	168	302	3,0	40,30	39,500	H2330	AH2330X	KM33	0,33	2,0	3,0	2,0
	168	302	3,0	41,70	40,800	H2330	AH2330X	KM33	0,37	1,8	2,7	1,8
	160	172	228	2,0	9,40	9,100	H3032	AH3032	KM34	0,22	3,1	4,6
172		228	2,0	10,30	10,000	H3032	AH3032	KM34	0,24	2,8	4,0	2,6
172		228	2,0	12,90	12,700	—	AH24032	KM34	0,30	2,3	3,4	2,2
172		258	2,0	21,30	20,700	H3132	AH3132	KM36	0,32	2,1	3,0	2,0
172		258	2,0	19,40	18,800	H3132	AH3132	KM36	0,32	2,1	3,0	2,0
172		258	2,0	25,70	25,300	—	AH24132	KM34	0,38	1,8	2,7	1,8
174		276	2,5	22,70	22,200	H3132	AH3132	KM36	0,26	2,6	3,8	2,5
174		276	2,5	24,40	23,900	H3132	AH3132	KM36	0,29	2,3	3,3	2,2
174		276	2,5	30,30	29,400	H2332	AH3232	KM36	0,34	2,0	2,9	1,9
174		276	2,5	31,00	30,100	H2332	AH3232	KM36	0,36	1,9	2,8	1,8
178		322	3,0	49,50	48,500	H2332	AH2332	KM36	0,33	2,0	3,0	2,0





## Double Row Spherical Roller Bearings

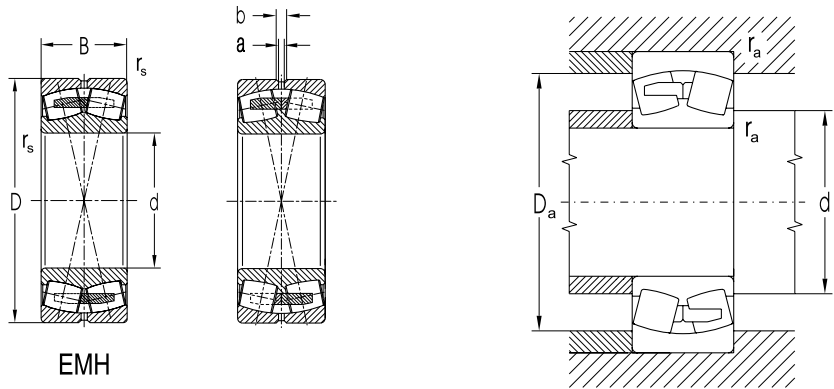
d = 160 to 200 mm



Dimensions						Basic Load Rating		Fatigue load limit	Limiting Speed for Lubrication with		Bearing Designation		
d	D	B	r <sub>s</sub> min	a	b	Dyn. C <sub>r</sub>	Stat. C <sub>or</sub>	P <sub>u</sub>	Grease	Oil	with Cylindrical Bore	with Tapered Bore	
mm						kN		kN	min <sup>-1</sup>				
160	340	114,0	4,0	9,0	16,7	1250	1680	155,64	1000	1300	22332W33M	22332KW33M	
170	260	67,0	2,1	6,0	11,1	701	1190	115,35	1600	2000	23034CW33J	23034CKW33J	
	260	67,0	2,1	6,0	11,1	618	1050	101,78	1100	1400	23034W33M	23034KW33M	
	260	90,0	2,1	4,5	8,3	875	1660	160,90	1000	1400	24034CW33J	24034CK30W33J	
	280	88,0	2,1	6,0	11,1	826	1350	129,08	1000	1300	23134W33M	23134KW33M	
	280	88,0	2,1	6,0	11,1	981	1620	154,90	1200	1600	23134CW33J	23134CKW33J	
	280	109,0	2,1	4,5	8,3	1150	2090	199,84	670	850	24134CW33J	24134CK30W33J	
	310	86,0	4,0	7,5	13,9	921	1310	122,86	1100	1400	22234W33M	22234KW33M	
	310	86,0	4,0	7,5	13,9	1080	1600	150,05	1300	1700	22234CW33J	22234CKW33J	
	310	110,0	4,0	7,5	13,9	1340	2040	191,32	950	1300	23234CW33J	23234CKW33J	
	310	110,0	4,0	7,5	13,9	1280	1880	176,31	950	1300	23234CW33M	23234CKW33M	
180	360	120,0	4,0	9,0	16,7	1400	1970	179,34	940	1200	22334W33M*	22334KW33M	
	360	120,0	4,0	9,0	16,7	1670	2280	207,56	900	1200	22334CW33J	22334CKW33J	
	250	52,0	2,0	3,0	5,5	496	919	89,08	1700	2200	23936CW33J	23936CKW33J	
	250	52,0	2,0	3,0	5,5	515	919	89,08	1700	2200	23936EW33MH**	23936EKW33MH	
	280	74,0	2,1	7,5	13,9	837	1410	133,93	1400	1800	23036CW33J	23036CKW33J	
	280	74,0	2,1	6,0	11,1	725	1230	116,83	1000	1300	23036W33M	23036KW33M	
	280	100,0	2,1	4,5	8,3	1050	1980	188,08	950	1300	24036CW33J	24036CK30W33J	
	280	100,0	2,1	4,5	8,3	1170	1980	188,08	950	1300	24036EW33MH**	24036EK30W33MH	
	300	96,0	3,0	6,0	11,1	957	1540	144,43	940	1200	23136W33M	23136KW33M	
	300	96,0	3,0	7,5	13,9	1150	1890	177,25	1100	1500	23136CW33J	23136CKW33J	
	300	118,0	3,0	6,0	11,1	1220	2080	195,07	630	800	24136CW33J	24136CK30W33J	
	320	86,0	4,0	9,0	16,7	1120	1700	157,49	1300	1700	22236CW33J	22236CKW33J	
	320	86,0	4,0	9,0	16,7	943	1380	127,84	1000	1300	22236W33M	22236KW33M	
	320	112,0	4,0	7,5	13,9	1360	2110	195,47	900	1200	23236CW33M	23236CKW33M	
320	112,0	4,0	7,5	13,9	1400	2210	204,74	900	1200	23236CW33J	23236CKW33J		
380	126,0	4,0	12,0	22,3	1540	2130	190,73	890	1100	22336W33M*	22336KW33M		
380	126,0	4,0	12,0	22,3	1840	2530	226,55	900	1200	22336CW33J	22336CKW33J		
190	260	52,0	2,0	3,0	5,5	551	966	92,37	1700	2200	23938EW33MH**	23938EKW33MH	
	290	75,0	2,1	7,5	13,9	873	1510	141,61	1300	1700	23038CW33J	23038CKW33J	
	290	75,0	2,1	6,0	11,1	759	1310	122,86	940	1200	23038W33M	23038KW33M	
	290	100,0	2,1	4,5	8,3	1080	2070	194,13	920	1250	24038CW33J	24038CK30W33J	
	320	104,0	3,0	7,5	13,9	1130	1840	169,45	890	1100	23138W33M	23138KW33M	
	320	104,0	3,0	7,5	13,9	1310	2180	200,76	1000	1400	23138CW33J	23138CKW33J	
	340	92,0	4,0	9,0	16,7	1270	1900	172,97	1200	1600	22238CW33J	22238CKW33J	
	340	92,0	4,0	9,0	16,7	1040	1550	141,11	940	1200	22238W33M	22238KW33M	
	340	120,0	4,0	9,0	16,7	1550	2420	220,31	850	1100	23238CW33M	23238CKW33M	
	340	120,0	4,0	9,0	16,7	1580	2530	230,32	850	1100	23238CW33J	23238CKW33J	
	400	132,0	5,0	12,0	22,3	1920	2710	238,90	840	1000	22338CW33M	22338CKW33M	
	400	132,0	5,0	12,0	22,3	2030	2810	247,71	850	1100	22338CW33J	22338CKW33J	
	200	280	60,0	2,1	4,5	8,3	692	1160	108,79	1600	2000	23940EW33MH**	23940EKW33MH
		310	82,0	2,1	7,5	13,9	1010	1730	159,32	1200	1600	23040CW33J	23040CKW33J
310		82,0	2,1	6,0	11,1	880	1550	142,74	890	1100	23040CW33M	23040CKW33M	
310		109,0	2,1	6,0	11,1	1250	2370	218,26	900	1200	24040CW33J	24040CK30W33J	
310		109,0	2,1	6,0	11,1	1390	2370	218,26	900	1200	24040EW33MH**	24040EK30W33MH	
340		112,0	3,0	9,0	16,7	1240	2010	181,96	840	1000	23140W33M*	23140KW33M	

Deliveries of bearings marked with \* must be agreed with the producer.

\*\* Bearings in the new standard NEW FORCE (see the catalogue NEW FORCE)



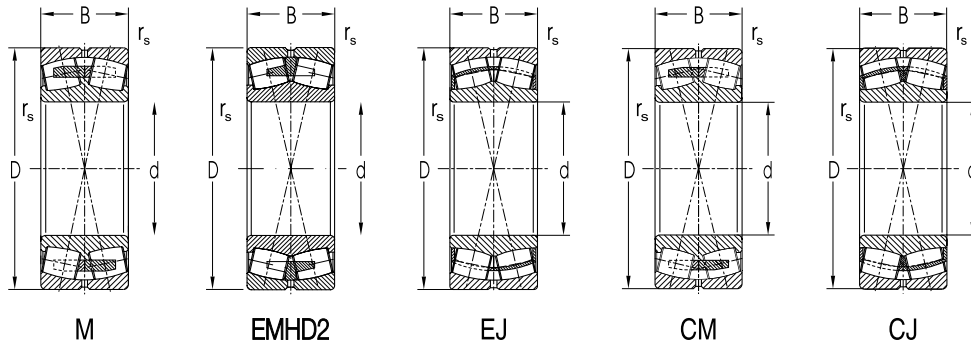
EMH

Abutment and Fillet Dimensions				Weight		Corresp. Adapter Sleeve	Corresp. Withdrawal Sleeve	Corresp. Nut	Factors			
d	d <sub>a</sub> min	D <sub>a</sub> max	r <sub>a</sub> max	-	K				e	Y <sub>1</sub>	Y <sub>2</sub>	Y <sub>0</sub>
mm					kg							
160	178	322	3,0	51,90	50,800	H2332	AH2332	KM36	0,37	1,8	2,6	1,7
170	182	248	2,0	12,60	12,200	H3034	AH3034	KM36	0,23	2,9	4,4	2,9
	182	248	2,0	13,80	13,400	H3034	AH3034	KM36	0,25	2,7	3,9	2,6
	182	248	2,0	17,30	17,100	-	AH24034	KM36	0,31	2,2	3,2	2,1
	182	268	2,0	22,80	22,200	H3134	AH3134	KM38	0,31	2,1	3,1	2,0
	182	268	2,0	21,00	20,400	H3134	AH3134	KM38	0,29	2,4	3,5	2,3
	182	268	2,0	27,00	26,600	-	AH24134	KM36	0,36	1,9	2,8	1,8
	188	292	3,0	30,00	29,400	H3134	AH3134	KM38	0,29	2,3	3,3	2,1
	188	292	3,0	27,60	27,000	H3134	AH3134	KM38	0,26	2,6	3,9	2,6
	188	292	3,0	35,30	34,300	H2334	AH3234	KM38	0,34	2,0	3,0	2,0
	188	292	3,0	37,70	36,400	H2334	AH3234	KM38	0,36	1,9	2,8	1,8
	188	342	3,0	59,20	58,200	H2334	AH2334	KM38	0,37	1,8	2,6	1,7
	188	342	3,0	56,80	55,500	H2334	AH2334	KM38	0,33	2,1	3,1	2,0
180	190	240	2,0	7,74	7,500	H3936	-	-	0,18	3,7	5,5	3,7
	190	240	2,0	7,67	7,430	H3936	-	-	0,18	3,7	5,5	3,7
	192	268	2,0	16,30	15,800	H3036	AH3036	KM38	0,24	2,9	4,2	2,8
	192	268	2,0	17,60	17,100	H3036	AH3036	KM38	0,26	2,6	3,7	2,5
	192	268	2,0	22,90	22,600	-	AH24036	KM38	0,32	2,1	3,1	2,0
	192	268	2,0	23,20	22,900	-	AH24036	KM38	0,32	2,1	3,1	2,0
	194	286	2,5	28,90	28,000	H3136	AH3136	KM40	0,32	2,1	3,0	2,0
	194	286	2,5	26,60	25,800	H3136	AH3136	KM40	0,29	2,3	3,4	2,3
	194	286	2,5	32,90	32,400	-	AH24136	KM38	0,37	1,8	2,7	1,8
	198	302	3,0	29,10	28,400	H3136	AH2236	KM40	0,25	2,7	4,0	2,7
	198	302	3,0	31,50	30,800	H3136	AH2236	KM40	0,28	2,4	3,4	2,3
	198	302	3,0	39,80	38,600	H2336	AH3236	KM40	0,36	1,9	2,8	1,9
	198	302	3,0	37,50	36,300	H2336	AH3236	KM40	0,33	2,1	3,1	2,0
	198	362	3,0	73,20	71,700	H2336	AH2336	KM40	0,37	1,8	2,6	1,7
198	362	3,0	65,80	64,300	H2336	AH2336	KM40	0,33	2,1	3,1	2,0	
190	200	250	2,0	8,05	7,790	H3938	-	-	0,17	3,9	5,8	3,8
	202	278	2,0	17,40	16,900	H3038	AH3038	HML41T	0,23	2,9	4,4	2,9
	202	278	2,0	18,80	18,300	H3038	AH3038	HML41T	0,25	2,7	3,8	2,5
	202	278	2,0	23,70	23,300	-	AH24038	KM40	0,31	2,2	3,2	2,1
	204	306	2,5	36,10	35,000	H3138	AH3138	HM42T	0,32	2,1	3,0	2,0
	204	306	2,5	33,60	32,600	H3138	AH3138	HM42T	0,30	2,3	3,4	2,2
	208	322	3,0	35,10	34,300	H3138	AH2238	HM42T	0,25	2,7	4,0	2,6
	208	322	3,0	38,40	37,700	H3138	AH2238	HM42T	0,29	2,3	3,4	2,2
	208	322	3,0	47,70	47,100	H2338	AH3238	HM42T	0,36	1,9	2,8	1,9
	208	322	3,0	45,80	44,400	H2338	AH3238	HM42T	0,33	2,0	3,0	2,0
	212	378	4,0	84,10	82,900	H2338	AH2338	HM42T	0,36	1,9	2,8	1,9
	212	378	4,0	76,30	74,600	H2338	AH2338	HM42T	0,32	2,1	3,1	2,0
200	212	268	2,0	11,30	11,000	H3940	-	-	0,19	3,6	5,4	3,5
	212	298	2,0	22,20	21,500	H3040	AH3040	HML43T	0,24	2,9	4,3	2,8
	212	298	2,0	23,80	23,400	H3040	AH3040	HML43T	0,25	2,7	4,0	2,7
	212	298	2,0	30,10	29,600	-	AH24040	HM42T	0,32	2,1	3,1	2,1
	212	298	2,0	30,80	30,300	-	AH24040	HM42T	0,32	2,1	3,1	2,1
	214	326	2,5	44,00	42,700	H3140	AH3140	HM44T	0,33	2,0	2,9	1,9



## Double Row Spherical Roller Bearings

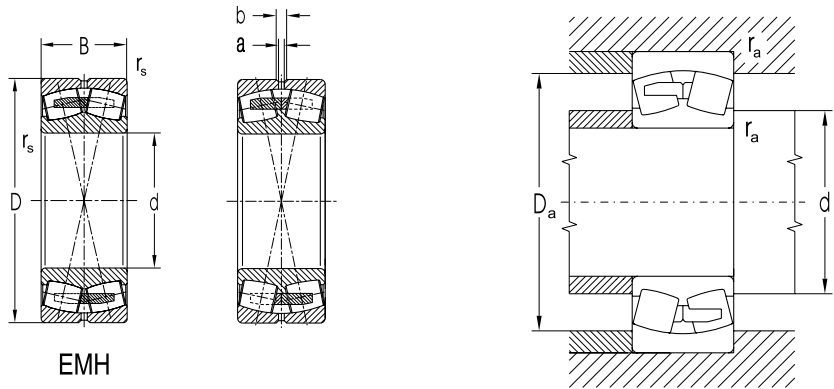
d = 200 to 260 mm



Dimensions						Basic Load Rating		Fatigue load limit	Limiting Speed for Lubrication with		Bearing Designation		
d	D	B	r <sub>s</sub>	a	b	Dyn. C <sub>r</sub>	Stat. C <sub>or</sub>	P <sub>u</sub>	Grease	Oil	with Cylindrical Bore	with Tapered Bore	
mm						kN		kN	min <sup>-1</sup>				
200	340	112,0	3,0	9,0	16,7	1480	2410	218,17	950	1300	23140CW33J	23140CKW33J	
	340	112,0	3,0	9,0	16,7	1630	2410	218,17	950	1300	23140EW33MH**	23140EKW33MH	
	340	140,0	3,0	6,0	11,1	1920	3160	286,06	560	700	24140EW33MH**	24140EK30W33MH	
	360	98,0	4,0	9,0	16,7	1420	2140	191,63	1100	1500	22240CW33J	22240CKW33J	
	360	98,0	4,0	9,0	16,7	1160	1760	157,60	890	1100	22240W33M	22240KW33M	
	360	128,0	4,0	9,0	16,7	1710	2760	247,14	800	1000	23240CW33M	23240CKW33M	
	360	128,0	4,0	9,0	16,7	1760	2850	255,20	800	1000	23240CW33J	23240CKW33J	
	420	138,0	5,0	12,0	22,3	1820	2650	230,16	790	940	22340W33M	22340KW33M	
	420	138,0	5,0	12,0	22,3	2230	3110	270,11	800	1000	22340CW33J	22340CKW33J	
	220	300	60,0	2,1	4,5	8,3	730	1330	109,87	1500	1900	23944EW33MH**	23944EKW33MH
340		90,0	3,0	7,5	13,9	1200	2090	187,15	1100	1500	23044CW33J	23044CKW33J	
340		90,0	3,0	7,5	13,9	1020	1850	165,66	790	940	23044CW33M	23044CKW33M	
340		90,0	3,0	7,5	13,9	1320	2090	187,15	1100	1500	23044EW33MH**	23044EKW33MH	
340		118,0	3,0	6,0	11,1	1650	2830	253,41	850	1100	24044EW33MH**	24044EK30W33MH	
340		118,0	3,0	6,0	11,1	1480	2830	253,41	850	1100	24044CW33J	24044CK30W33J	
370		120,0	4,0	9,0	16,7	1480	2470	217,74	750	890	23144W33M*	23144KW33M	
370		120,0	4,0	9,0	16,7	1710	2890	254,76	900	1200	23144CW33J	23144CKW33J	
370		120,0	4,0	9,0	16,7	1880	2890	254,76	900	1200	23144EW33MH**	23144EKW33MH	
370		150,0	4,0	6,0	11,1	2200	3690	325,29	500	630	24144EW33MH**	24144EK30W33MH	
400		108,0	4,0	9,0	16,7	1730	2630	228,42	950	1300	22244CW33J	22244CKW33J	
400		108,0	4,0	9,0	16,7	1380	2080	180,65	790	940	22244W33M	22244KW33M	
400		144,0	4,0	9,0	16,7	2040	3290	285,74	710	840	23244CW33M	23244CKW33M	
400		144,0	4,0	9,0	16,7	2190	3610	313,53	750	950	23244CW33J	23244CKW33J	
460		145,0	5,0	9,0	16,7	2110	3130	264,42	750	890	22344W33M	22344KW33M	
240		320	60,0	2,1	4,5	8,3	750	1450	115,51	1300	1700	23948EW33MH**	23948EKW33MH
	360	92,0	3,0	7,5	13,9	1080	2010	176,30	750	890	23048CW33M	23048CKW33M	
	360	92,0	3,0	7,5	13,9	1260	2310	202,61	1000	1400	23048CW33J	23048CKW33J	
	360	92,0	3,0	7,5	13,9	1390	2310	202,61	1000	1400	23048EW33MH**	23048EKW33MH	
	360	118,0	3,0	6,0	11,1	1690	3060	268,39	800	1000	24048EW33MH**	24048EK30W33MH	
	400	128,0	4,0	9,0	16,7	1690	2860	246,04	710	840	23148W33M*	23148KW33M	
	400	128,0	4,0	9,0	16,7	1960	3340	287,33	850	1100	23148CW33J	23148CKW33J	
	400	128,0	4,0	9,0	16,7	2160	3340	287,33	850	1100	23148EW33MH**	23148EKW33MH	
	400	160,0	4,0	6,0	11,1	2510	4260	366,48	480	600	24148EW33MH**	24148EK30W33MH	
	440	120,0	4,0	12,0	22,3	2050	3070	259,35	900	1200	22248CW33J	22248CKW33J	
	440	120,0	4,0	12,0	22,3	1660	2560	216,26	750	890	22248W33M	22248KW33M	
	440	160,0	4,0	12,0	22,3	2440	3920	331,15	670	850	23248CW33M	23248CKW33M	
	500	155,0	5,0	12,0	22,3	2440	3690	303,91	670	790	22348W33M	22348KW33M	
	260	360	75,0	2,1	4,5	8,3	1070	1930	167,62	1100	1500	23952EW33MH**	23952EKW33MH
		400	104,0	4,0	9,0	16,7	1580	2790	237,81	900	1200	23052CW33J	23052CKW33J
		400	104,0	4,0	9,0	16,7	1460	2360	201,16	670	790	23052CW33M	23052CKW33M
400		140,0	4,0	6,0	11,1	2190	4020	342,66	700	900	24052EW33MH**	24052EK30W33MH	
440		144,0	4,0	9,0	16,7	2240	3720	311,54	670	790	23152CW33M*	23152CKW33M	
440		144,0	4,0	9,0	16,7	2370	4130	345,87	670	790	23152CW33J	23152CKW33J	
440		144,0	4,0	9,0	16,7	2610	4130	345,87	800	1000	23152EW33MH**	23152EKW33MH	
440		180,0	4,0	7,5	13,9	3100	5320	445,53	430	530	24152EW33MH**	24152EK30W33MH	
480		130,0	5,0	12,0	22,3	1940	3030	249,56	670	790	22252W33M	22252KW33M	

Deliveries of bearings marked with \* must be agreed with the producer.

\*\* Bearings in the new standard NEW FORCE (see the catalogue NEW FORCE)



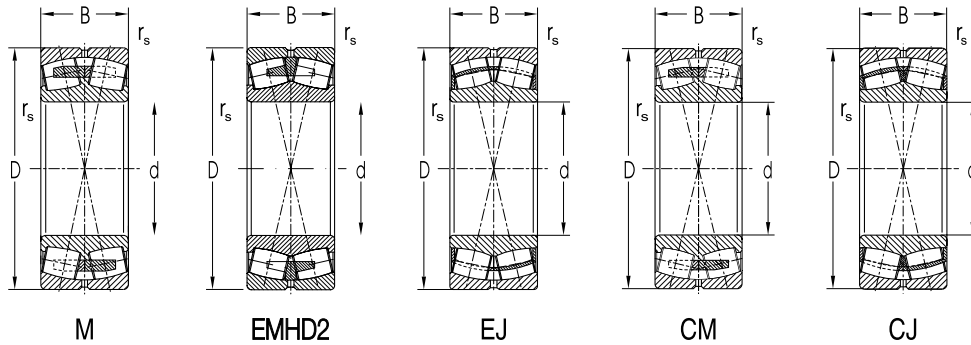
EMH

Abutment and Fillet Dimensions				Weight		Corresp. Adapter Sleeve	Corresp. Withdrawal Sleeve	Corresp. Nut	Factors			
d	d <sub>a</sub> min	D <sub>a</sub> max	r <sub>a</sub> max	K					e	Y <sub>1</sub>	Y <sub>2</sub>	Y <sub>0</sub>
mm				kg								
200	214	326	2,5	40,50	39,200	H3140	AH3140	HM44T	0,30	2,2	3,3	2,2
	214	326	2,5	41,50	40,200	H3140	AH3140	HM44T	0,30	2,2	3,3	2,2
	214	326	2,5	53,40	52,600	-	AH24140	HM42T	0,39	1,9	2,6	1,7
	218	342	3,0	43,00	42,000	H3140	AH2240	HM44T	0,25	2,6	3,9	2,6
	218	342	3,0	46,00	45,100	H3140	AH2240	HM44T	0,29	2,3	3,3	2,2
	218	342	3,0	58,60	56,700	H2340	AH3240	HM44T	0,36	1,9	2,8	1,8
	218	342	3,0	55,10	53,500	H2340	AH3240	HM44T	0,33	2,0	3,0	2,0
	222	398	4,0	99,00	97,000	H2340	AH2340	HM44T	0,36	1,9	2,7	1,8
	222	398	4,0	89,20	87,200	H2340	AH2340	HM44T	0,32	2,1	3,1	2,0
	220	232	288	2,0	12,30	12,000	H3944	-	-	0,16	4,2	6,3
234		326	2,5	29,20	28,300	H3044	AH3044	HML47T	0,24	2,9	4,3	2,8
234		326	2,5	32,10	31,200	H3044	AH3044	HML47T	0,25	2,7	4,0	2,7
234		326	2,5	29,60	28,700	H3044	AH3044	HML47T	0,24	2,9	4,3	2,8
234		326	2,5	39,70	39,000	-	AOH24044	HM46T	0,32	2,3	3,1	2,1
234		326	2,5	39,00	38,300	-	AOH24044	HM46T	0,32	2,3	3,1	2,1
238		352	3,0	56,80	55,200	H3144	AH3144	HM48T	0,32	2,0	3,0	2,0
238		352	3,0	50,80	49,200	H3144	AH3144	HM48T	0,30	2,3	3,4	2,2
238		352	3,0	52,30	50,700	H3144	AH3144	HM48T	0,30	2,3	3,4	2,2
238		352	3,0	67,10	66,100	-	AOH24144	HM46T	0,38	1,8	2,6	1,7
238		382	3,0	58,80	57,500	H3144	AH2244	HM48T	0,25	2,7	4,0	2,6
238		382	3,0	63,00	61,000	H3144	AH2244	HM48T	0,28	2,4	3,4	2,2
238		382	3,0	83,00	79,000	H2344	AH2344	HM48T	0,36	1,9	2,8	1,8
238		382	3,0	77,90	75,500	H2344	AH2344	HM48T	0,34	2,0	3,0	2,0
242		438	4,0	125,00	122,000	H2344	AH2344	HM48T	0,35	1,9	2,8	1,8
240		252	308	2,0	13,30	13,000	H3948	-	-	0,15	4,5	6,7
	254	346	2,5	34,90	33,800	H3048	AH3048	HML52T	0,24	2,8	4,2	2,8
	254	346	2,5	32,00	31,000	H3048	AH3048	HML52T	0,23	3,0	4,5	2,9
	254	346	2,5	32,40	31,400	H3048	AH3048	HML52T	0,23	3,0	4,5	2,9
	254	346	2,5	42,80	42,100	-	AOH24048	HM50T	0,30	2,3	3,4	2,2
	258	382	3,0	68,70	66,700	H3148	AH3148	HM52T	0,32	2,1	3,0	2,0
	258	382	3,0	63,00	61,000	H3148	AH3148	HM52T	0,29	2,3	3,4	2,3
	258	382	3,0	64,50	62,500	H3148	AH3148	HM52T	0,29	2,3	3,4	2,3
	258	382	3,0	82,50	81,300	-	AOH24148	HM50T	0,38	1,8	2,7	1,8
	258	422	3,0	80,00	78,200	H3148	AH2248	HM52T	0,26	2,6	3,9	2,6
	258	422	3,0	85,00	83,200	H3148	AH2248	HM52T	0,29	2,3	3,3	2,2
	258	422	3,0	111,00	108,000	H2348	AH2348	HM52T	0,35	1,9	2,9	1,8
	262	478	4,0	159,00	156,000	H2348	AH2348	HM52T	0,34	2,0	2,9	1,9
	260	272	348	2,0	22,90	22,200	H3952	-	-	0,18	3,7	5,5
278		382	3,0	45,80	44,400	H3052	AH3052	HM56T	0,23	2,9	4,3	2,9
278		382	3,0	46,80	45,300	H3052	AH3052	HML56T	0,25	2,7	4,0	2,7
278		385	3,0	65,00	63,900	-	AOH24052	HM54T	0,32	2,1	3,1	2,1
278		422	3,0	90,50	87,800	H3152	AH3152	HM58T	0,32	2,0	3,1	2,0
278		422	3,0	87,80	85,000	H3152	AH3152	HM58T	0,32	2,0	3,1	2,0
278		422	3,0	90,30	87,500	H3152	AH3152	HM58T	0,30	2,2	3,3	2,2
278		422	3,0	115,00	113,000	-	AOH24152	HM56T	0,39	1,8	2,6	1,7
282		458	4,0	111,00	109,000	H3152	AH2252	HM58T	0,29	2,3	3,4	2,2



## Double Row Spherical Roller Bearings

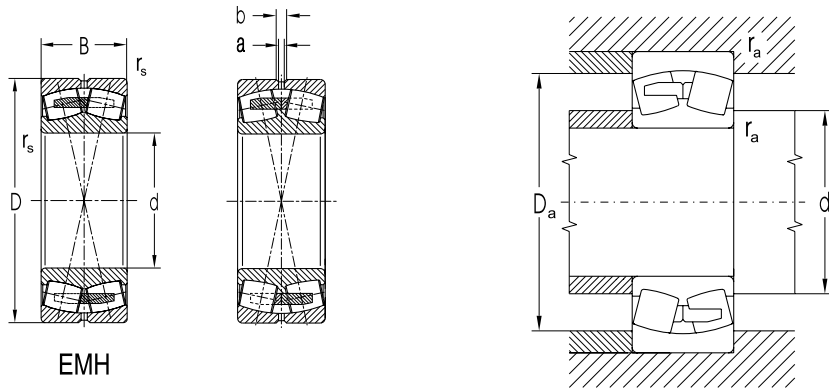
d = 260 to 380 mm



Dimensions						Basic Load Rating		Fatigue load limit	Limiting Speed for Lubrication with		Bearing Designation	
d	D	B	r <sub>s</sub>	a	b	Dyn. C <sub>r</sub>	Stat. C <sub>or</sub>	P <sub>0</sub>	Grease	Oil	with Cylindrical Bore	with Tapered Bore
mm						kN		kN	min <sup>-1</sup>			
260	480	174,0	5,0	12,0	22,3	2700	4430	364,86	600	710	23252W33M	23252KW33M
	540	165,0	6,0	12,0	22,3	2760	4220	339,53	600	710	22352W33M	22352KW33M
280	380	75,0	2,1	4,5	8,3	1120	2100	179,00	1000	1400	23956EW33MH**	23956EKW33MH
	420	106,0	4,0	9,0	16,7	1440	2690	225,28	630	750	23056W33M*	23056KW33M
	420	106,0	4,0	9,0	16,7	1820	3060	256,26	850	1100	23056EW33MH**	23056EKW33MH
	420	106,0	4,0	9,0	16,7	1650	3060	256,26	850	1100	23056CW33J	23056CKW33J
	420	140,0	4,0	6,0	11,1	2240	4280	358,43	670	850	24056EW33MH**	24056EK30W33MH
	460	146,0	5,0	9,0	16,7	2180	3900	321,21	600	710	23156W33M*	23156KW33M
	460	146,0	5,0	9,0	16,7	2650	4370	359,92	750	950	23156EW33MH**	23156EKW33MH
	460	146,0	5,0	9,0	16,7	2500	4470	368,16	750	950	23156CW33J	23156CKW33J
	460	180,0	5,0	7,5	13,9	3220	5630	463,70	400	500	24156EW33MH**	24156EK30W33MH
	500	130,0	5,0	12,0	22,3	2010	3200	259,43	630	750	22256W33M	22256KW33M
300	500	176,0	5,0	12,0	22,3	2850	4770	386,71	560	670	23256W33M	23256KW33M
	580	175,0	6,0	12,0	22,3	3300	4940	388,93	600	750	22356CW33M	22356CKW33M
	420	90,0	3,0	6,0	11,1	1500	2690	221,55	950	1300	23960EW33MH**	23960EKW33MH
	460	118,0	4,0	9,0	16,7	1780	3240	264,73	560	670	23060W33M*	23060KW33M
	460	118,0	4,0	9,0	16,7	2220	3720	303,94	800	1000	23060EW33MH**	23060EKW33MH
	460	118,0	4,0	9,0	16,7	2020	3720	303,94	800	1000	23060CW33J	23060CKW33J
	460	160,0	4,0	7,5	13,9	2800	5230	427,32	600	750	24060EW33MH**	24060EK30W33MH
	500	160,0	5,0	9,0	16,7	2560	4490	361,26	530	630	23160W33M	23160KW33M
320	500	200,0	5,0	7,5	13,9	3830	6790	546,31	360	450	24160EW33MH**	24160EK30W33MH
	540	140,0	5,0	12,0	22,3	2350	3810	302,09	560	670	22260W33M	22260KW33M
	540	192,0	5,0	12,0	22,3	3350	5570	441,64	500	600	23260W33M	23260KW33M
	440	90,0	3,0	6,0	11,1	1450	2830	231,23	900	1200	23964EW33MH**	23964EKW33MH
	480	121,0	4,0	9,0	16,7	1890	3510	282,41	530	630	23064W33M	23064KW33M
	480	121,0	4,0	9,0	16,7	2110	4090	329,07	750	950	23064CW33J	23064CKW33J
	480	160,0	4,0	7,5	13,9	2885	5500	442,52	560	700	24064EW33MH**	24064EK30W33MH
	540	176,0	5,0	12,0	22,3	3020	5390	424,36	500	600	23164W33M*	23164KW33M
340	540	176,0	5,0	12,0	22,3	3780	6150	484,20	630	800	23164EW33MH**	23164EKW33MH
	540	176,0	5,0	12,0	22,3	3430	6150	484,20	630	800	23164CW33J	23164CKW33J
	540	218,0	5,0	9,0	16,7	4470	7870	619,61	340	430	24164EW33MH**	24164EK30W33MH
	580	150,0	5,0	12,0	22,3	2700	4430	344,05	530	630	22264W33M	22264KW33M
	580	208,0	5,0	12,0	22,3	3880	6520	506,37	450	530	23264W33M	23264KW33M
	520	133,0	5,0	12,0	22,3	2320	4330	340,91	500	600	23068W33M	23068KW33M
	520	180,0	5,0	9,0	16,7	3550	6710	528,28	530	670	24068EW33MH**	24068EK30W33MH
	580	190,0	5,0	12,0	22,3	3510	6230	480,67	450	530	23168W33M*	23168KW33M
360	580	190,0	5,0	12,0	22,3	4240	7080	536,22	600	750	23168EW33MH**	23168EKW33MH
	580	190,0	5,0	12,0	22,3	4020	7080	546,25	600	750	23168CW33J	23168CKW33J
	620	224,0	6,0	12,0	22,3	4430	7560	575,88	420	500	23268W33M	23268KW33M
	540	134,0	5,0	12,0	22,3	2360	4460	346,38	450	530	23072W33M	23072KW33M
	600	192,0	5,0	12,0	22,3	3630	6550	498,95	420	500	23172W33M	23172KW33M
380	600	243,0	5,0	9,0	16,7	5360	9970	759,47	300	380	24172EW33MH**	24172EK30W33MH
	650	232,0	6,0	12,0	22,3	4780	8550	641,45	400	500	23272CW33M	23272CKW33M
	560	135,0	5,0	12,0	22,3	2410	4700	360,29	420	500	23076W33M	23076KW33M
	560	180,0	5,0	9,0	16,7	3690	7420	568,80	480	600	24076EW33MH**	24076EK30W33MH
380	620	194,0	5,0	12,0	22,3	3740	6970	524,48	400	470	23176W33M	23176KW33M

Deliveries of bearings marked with \* must be agreed with the producer.

\*\* Bearings in the new standard NEW FORCE (see the catalogue NEW FORCE)



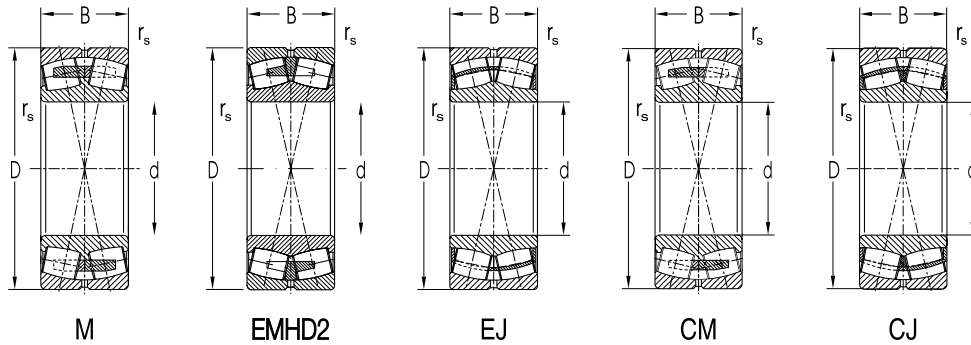
EMH

Abutment and Fillet Dimensions				Weight		Corresp. Adapter Sleeve	Corresp. Withdrawal Sleeve	Corresp. Nut	Factors				
d	d <sub>a</sub> min	D <sub>a</sub> max	r <sub>a</sub> max	-	K				e	Y <sub>1</sub>	Y <sub>2</sub>	Y <sub>0</sub>	
mm				kg									
260	282	458	4,0	147,00	142,000	H2352	AH2352	HM58T	0,37	1,8	2,6	1,7	
	288	512	5,0	196,00	192,000	H2352	AH2352	HM58T	0,34	2,0	2,9	1,9	
280	292	368	2,0	25,00	24,200	H3956	-	-	0,16	4,2	6,3	4,0	
	298	402	3,0	54,50	52,900	H3056	AH3056	HM3060	0,24	2,7	4,0	2,6	
	298	402	3,0	51,50	49,900	H3056	AH3056	HM3060	0,22	3,0	4,5	3,0	
	298	402	3,0	50,00	48,400	H3056	AH3056	HM3060	0,22	3,0	4,5	3,0	
	298	402	3,0	69,70	68,600	-	AOH 24056	HM52T	0,30	2,2	3,3	2,2	
	302	438	4,0	103,00	99,000	H3156	AH3156	HM62T	0,31	2,1	3,0	2,0	
	322	438	4,0	95,00	91,000	H3156	AH3156	HM62T	0,29	2,3	3,3	2,2	
	302	438	4,0	93,90	90,800	H3156	AH3156	HM62T	0,29	2,3	3,5	2,3	
	302	438	4,0	121,00	119,000	-	AOH24156	HM3160	0,37	1,8	2,7	1,8	
	302	478	4,0	119,00	116,000	H3156	AH2256	HM62T	0,28	2,4	3,5	2,3	
	302	478	4,0	157,00	152,000	H2356	AH2356	HM62T	0,36	1,9	2,7	1,8	
	308	552	5,0	232,00	227,000	H2356	AH2356	HM62T	0,31	2,2	3,2	2,1	
	300	314	406	2,5	38,3	37,000	H3960	-	-	0,19	3,6	5,4	3,5
		318	442	3,0	75,80	73,600	H3060	AH3060	HM3064	0,25	2,7	3,8	2,5
318		442	3,0	71,50	69,400	H3060	AH3060	HM3064	0,23	3,0	4,4	2,9	
318		442	3,0	69,6	67,500	H3060	AH3060	HM3064	0,23	3,0	4,4	2,9	
318		442	3,0	97,70	96,200	-	AOH24060	HM62T	0,32	2,1	3,2	2,1	
322		478	4,0	134,00	130,000	H3160	AH3160	HM66T	0,32	2,1	3,0	2,0	
322		478	4,0	163,00	160,000	-	AOH24160	HM3164	0,37	1,8	2,7	1,8	
322		518	4,0	150,00	147,000	H3160	AH2260	HM66T	0,27	2,5	3,6	2,4	
322		518	4,0	200,00	195,000	H3260	AH3260	HM66T	0,36	1,8	2,7	1,8	
320		334	426	2,5	40,40	39,100	H3964	-	-	0,18	3,8	5,7	3,7
	338	462	3,0	81,20	78,800	H3064	AH3064	HML69T	0,24	2,7	3,9	2,6	
	338	462	3,0	76,10	73,700	H3064	AH3064	HML69T	0,22	3,0	4,5	3,0	
	338	462	3,0	103,00	101,500	-	AOH24064	HM66T	0,30	2,2	3,3	2,2	
	342	518	4,0	175,00	170,000	H3164	AH3164	HM70T	0,32	2,0	3,0	2,0	
	342	518	4,0	162,00	157,000	H3164	AH3164	HM70T	0,30	2,2	3,3	2,2	
	342	518	4,0	160,00	155,000	H3164	AH3164	HM70T	0,30	2,2	3,3	2,2	
	342	518	4,0	208,00	205,000	-	AOH24164	HM3168	0,38	1,8	2,6	1,7	
	342	558	4,0	187,00	181,000	H3164	AH2264	HM70T	0,27	2,5	3,6	2,3	
	342	558	4,0	253,00	246,000	H3264	AH3264	HM70T	0,37	1,8	2,6	1,7	
340	362	498	4,0	108,00	105,000	H3068	AH3068	HML73T	0,25	2,7	3,9	2,6	
	362	498	4,0	141,00	139,000	-	AOH24068	HM3072	0,33	2,0	3,0	2,0	
	362	558	4,0	209,00	202,000	H3168	AH3168	HM74T	0,33	2,0	2,9	1,9	
	362	558	4,0	206,00	199,000	H3168	AH3168	HM74T	0,30	2,2	3,3	2,2	
	362	558	4,0	201,00	195,000	H3168	AH3168	HM74T	0,30	2,2	3,3	2,2	
	368	592	5,0	313,00	304,000	H3268	AH3268	HM74T	0,37	1,8	2,6	1,7	
360	382	518	4,0	114,00	111,000	H3072	AH3072	HML77T	0,24	2,8	4,0	2,6	
	382	578	4,0	232,00	224,000	H3172	AH3172	HM80T	0,32	2,0	3,0	2,0	
	382	578	4,0	284,00	279,000	-	AOH24172	HM3176	0,38	1,8	2,6	1,7	
	388	622	5,0	342,00	332,000	H3272	AH3272G	HM3076	0,35	1,9	2,9	1,8	
380	402	538	4,0	120,00	117,000	H3076	AH3076	HML82T	0,23	2,9	4,2	2,7	
	402	538	4,0	154,00	152,000	-	AOH24076	HM3080	0,29	2,3	3,5	2,3	
	402	598	4,0	244,00	237,000	H3176	AH3176	HM84T	0,31	2,2	3,1	2,1	



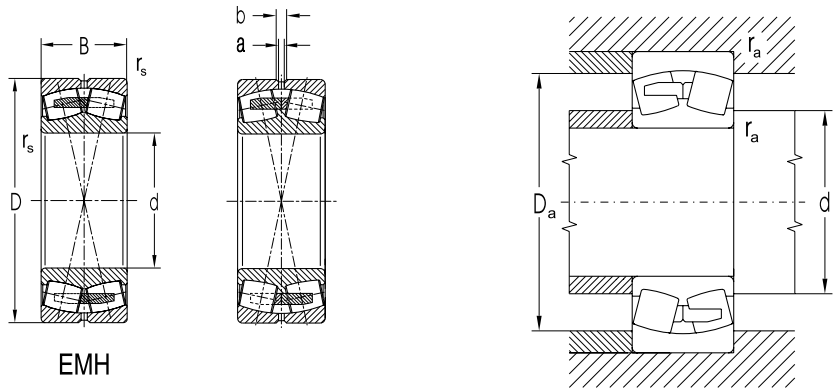
## Double Row Spherical Roller Bearings

d = 380 to 950 mm



Dimensions						Basic Load Rating		Fatigue load limit	Limiting Speed for Lubrication with		Bearing Designation	
d	D	B	r <sub>s</sub>	a	b	Dyn. C <sub>r</sub>	Stat. C <sub>or</sub>	P <sub>u</sub>	Grease	Oil	with Cylindrical Bore	with Tapered Bore
mm						kN		kN	min <sup>-1</sup>			
380	620	243,0	5,0	9,0	16,7	5500	10490	789,35	280	360	24176EW33MH**	24176EK30W33MH
	680	240,0	6,0	12,0	22,3	5160	8920	659,58	380	480	23276W33M	23276KW33M
400	600	148,0	5,0	12,0	22,3	2860	5500	413,86	400	470	23080W33M	23080KW33M
	650	200,0	6,0	12,0	22,3	4040	7580	562,09	380	450	23180W33M	23180KW33M
	650	250,0	6,0	12,0	22,3	5960	11150	826,82	180	240	24180EW33MH**	24180EK30W33MH
	720	256,0	6,0	12,0	22,3	5800	10120	736,05	350	420	23280W33M	23280KW33M
420	820	243,0	7,5	12,0	22,3	6350	10190	722,37	360	450	22380CW33M	22380CKW33M
	620	150,0	5,0	12,0	22,3	2950	5850	435,05	380	450	23084W33M	23084KW33M
	700	224,0	6,0	12,0	22,3	5030	9740	708,42	360	450	23184CW33M	23184CKW33M
	700	280,0	6,0	12,0	22,3	6440	13480	980,44	170	220	24184EW33MH	24184EK30W33MH
	760	272,0	7,5	12,0	22,3	6400	11300	809,11	320	400	23284CW33M	23284CKW33M
440	650	157,0	6,0	12,0	22,3	3210	6410	470,03	350	420	23088W33M	23088KW33M
	720	226,0	6,0	12,0	22,3	4480	9350	672,93	330	400	23188W33M	23188KW33M
460	790	280,0	7,5	12,0	22,3	6820	12030	850,73	320	380	23288W33M	23288KW33M
	680	163,0	6,0	12,0	22,3	3480	7000	506,43	330	400	23092W33M	23092KW33M
	760	240,0	7,5	12,0	22,3	5720	10950	776,25	320	380	23192W33M	23192KW33M
480	760	300,0	7,5	12,0	22,3	7370	15530	1100,93	160	200	24192EW33MH	24192EK30W33MH
	700	165,0	6,0	12,0	22,3	3660	7490	536,31	320	380	23096W33M	23096KW33M
	790	248,0	7,5	12,0	22,3	6150	12000	840,50	300	380	23196W33M	23196KW33M
500	720	167,0	6,0	12,0	22,3	3830	7970	565,00	300	350	230/500W33M	230/500KW33M
	830	264,0	7,5	12,0	22,3	6800	13040	900,78	280	330	231/500W33M	231/500KW33M
	920	336,0	7,5	12,0	22,3	10380	18770	1271,37	240	320	232/500EW33MH	232/500EKW33MH
530	780	185,0	6,0	12,0	22,3	4470	9310	646,05	280	330	230/530W33M	230/530KW33M
560	820	195,0	6,0	12,0	22,3	5110	10690	730,31	320	400	230/560CW33M	230/560CKW33M
600	870	200,0	6,0	12,0	22,3	5500	11420	765,54	260	300	230/600CW33M	230/600CKW33M
630	920	212,0	7,5	12,0	22,3	6270	13360	881,46	240	300	230/630W33M	230/630KW33M
	1030	315,0	7,5	12,0	22,3	9700	19600	1266,83	180	250	231/630W33M	231/630KW33M
670	980	230,0	7,5	12,0	22,3	6820	14690	951,20	200	280	230/670W33M	230/670KW33M
750	1360	475,0	15,0	12,0	22,3	18990	36950	2222,41	150	190	232/750CW33M	232/750CKW33M
	1360	475,0	15,0	12,0	22,3	18990	36950	2222,41	150	190	232/750CW33F	232/750CKW33F
800	1150	258,0	7,5	12,0	22,3	8620	19650	1210,17	180	220	230/800W33M	230/800KW33M
850	1220	272,0	7,5	12,0	22,3	9610	22080	1335,68	160	200	230/850W33M	230/850KW33M
950	1250	224,0	7,5	12,0	22,3	7830	21190	1 258,63	170	220	239/950EW33MH	239/950EKW33MH





EMH

Abutment and Fillet Dimensions				Weight		Corresp. Adapter Sleeve	Corresp. Withdrawal Sleeve	Corresp. Nut	Factors			
d	d <sub>a</sub> min	D <sub>a</sub> max	r <sub>a</sub> max	K					e	Y <sub>1</sub>	Y <sub>2</sub>	Y <sub>0</sub>
mm				kg								
380	402	598	4,0	296,00	291,000	–	AOH24176	HM3180	0,36	1,9	2,8	1,8
	408	652	5,0	394,00	382,000	H3276	AH3276	HM84T	0,36	1,9	2,7	1,8
400	422	578	4,0	156,00	152,000	H3080	AH3080	HML86T	0,24	2,8	4,0	2,7
	428	622	5,0	273,00	265,000	H3180	AH3180	HM88T	0,30	2,2	3,2	2,1
	428	622	5,0	334,00	329,000	–	AH24180	HM3184	0,35	1,9	2,8	1,9
	428	692	5,0	476,00	463,000	H3280	AH3280	HM88T	0,36	1,8	2,7	1,8
	436	784	6,0	629,00	612,000	–	–	–	0,30	2,2	3,3	2,2
420	442	598	4,0	164,00	159,000	H3084	AH3084	HML90T	0,23	2,9	4,1	2,7
	448	672	5,0	363,00	348,000	H3184	AH3184	HM92T	0,32	2,1	3,2	2,0
	448	672	5,0	445,00	438,000	–	AOH24184	HM3188	0,37	1,8	2,7	1,8
	456	724	6,0	535,00	520,000	H3284	AH3284	HM92T	0,36	1,7	2,7	1,8
440	468	622	5,0	188,00	182,000	H3088	AH3088X	HML94T	0,23	2,9	4,1	2,7
	440	468	692	5,0	390,00	379,000	H3188	AH3188X	HM96T	0,32	2,1	3,0
440	476	754	6,0	613,00	595,000	H3288	AH3288X	HM96T	0,36	1,8	2,7	1,8
	488	652	5,0	214,00	207,000	H3092	AH3092X	HML98T	0,23	2,9	4,2	2,8
	496	724	6,0	456,00	441,000	H3192	AH3192X	HM102T	0,31	2,1	3,1	2,0
460	496	724	6,0	556,00	547,000	–	–	–	0,37	1,8	2,7	1,8
	508	672	5,0	230,00	223,000	H3096	AH3096X	HML104T	0,23	2,9	4,4	2,9
	516	754	6,0	485,00	469,000	H3196	AH3196X	HM106T	0,31	2,2	3,1	2,1
500	528	692	5,0	236,00	228,000	H30/500	AH30/500X	HML108T	0,22	3,0	4,3	2,9
	536	794	6,0	570,00	550,000	H31/500	AH31/500X	HM110T	0,31	2,1	3,0	2,0
	536	884	6,0	976,00	946,000	H32/500	AH32/500X	HM110T	0,35	1,9	2,9	1,9
530	558	752	5,0	323,00	314,000	H30/530	AH30/530	HML112T	0,22	3,0	4,3	2,9
560	588	792	5,0	357,00	346,000	H30/560	AH30/560	HML118T	0,22	3,1	4,6	3,0
600	633	838	5,0	405,00	400,000	H30/600	AH30/600	HM30/630	0,22	2,9	4,2	2,8
630	666	884	6,0	485,00	470,000	H30/630	AH30/630	HM30/670	0,21	3,1	4,5	2,9
	666	994	6,0	1080,00	1070,000	H31/630	AH31/630	HM31/670	0,30	2,2	3,3	2,2
670	706	944	6,0	611,00	593,000	H30/670	AH30/670	HM30/710	0,23	3,0	4,4	2,9
750	815	1295	12,0	3070,00	2990,000	H32/750	AH32/750	HM31/800	0,34	2,0	2,9	1,9
	815	1295	12,0	3020,00	2930,000	H32/750	AH32/750	HM31/800	0,34	2,0	2,9	1,9
800	836	1114	6,0	939,00	911,000	H30/800	AH30/800	HM30/850	0,21	3,1	4,5	3,0
850	886	1184	6,0	1110,00	1080,000	–	AH30/850	HM30/900	0,21	3,1	4,5	3,0
950	986	1214	6,0	746,00	721,000	–	–	–	0,15	4,4	6,6	4,3

